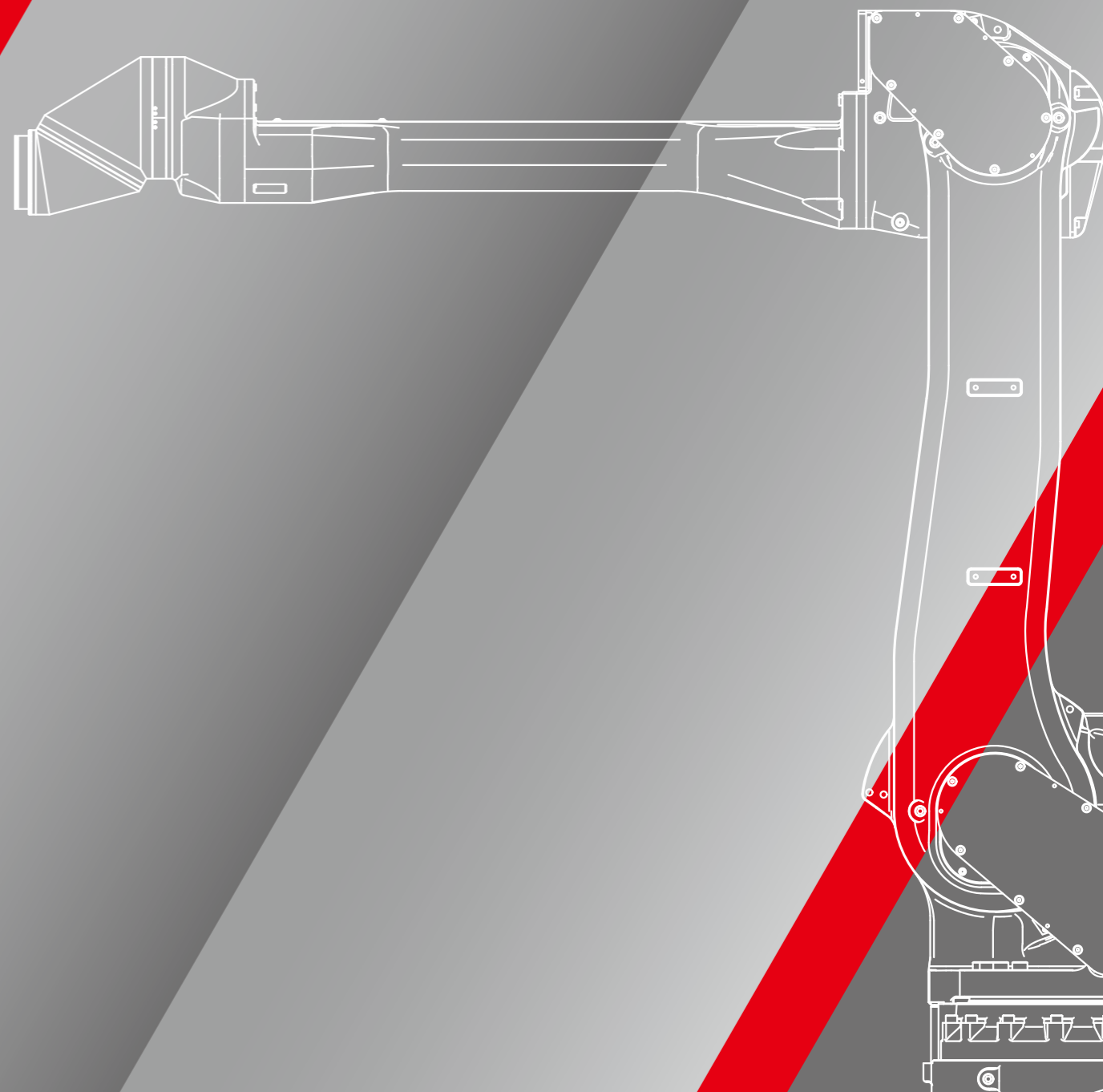


Kawasaki Robot

K series

Painting robots explosion-proof and painting package cells



Kawasaki Heavy Industries, Ltd.

Robot Business Division

Tokyo Head Office/Robot Division

1-14-5, Kaigan, Minato-ku, Tokyo 105-8315, Japan
Phone: +81-3-3435-2501 Fax: +81-3-3437-9880

Akashi Works/Robot Division

1-1, Kawasaki-cho, Akashi, Hyogo 673-8666, Japan
Phone: +81-78-921-2946 Fax: +81-78-923-6548

Nishi-Kobe Works/Robot Division

234, Matsumoto, Hasetani-cho, Nishi-ku, Kobe, Hyogo 651-2239, Japan
Phone: +81-78-915-8247 Fax: +81-78-915-8239

Global Network

Kawasaki Robotics (USA), Inc.

28140 Lakeview Drive, Wixom, MI 48393, U.S.A.
Phone: +1-248-446-4100 Fax: +1-248-446-4200

Kawasaki Robotics (UK) Ltd.

Unit 4 Easter Court, Europa Boulevard, Westbrook Warrington
Cheshire, WA5 7ZB, United Kingdom
Phone: +44-1925-71-3000 Fax: +44-1925-71-3001

Kawasaki Robotics GmbH

Im Taubental 32, 41468 Neuss, Germany
Phone: +49-2131-34260 Fax: +49-2131-3426-22

Kawasaki Robotics Korea, Ltd.

43, Namdong-daero 215beon-gil, Namdong-gu, Incheon, 21633, Korea
Phone: +82-32-821-6941 Fax: +82-32-821-6947

Kawasaki Robotics (Tianjin) Co., Ltd.

1-2/F, Building 6, No.19 Xinhuan Road, TEDA, China
Phone: +86-22-5983-1888 Fax: +86-22-5983-1889

Kawasaki Motors Enterprise (Thailand) Co., Ltd.

(Rayong Robot Center)
119/10 Moo 4 T.Pluak Daeng, A.Pluak Daeng, Rayong 21140
Thailand
Phone: +66-38-955-040-58 Fax: +66-38-955-145

<https://robotics.kawasaki.com/>

Kawasaki Robot



CAUTIONS TO BE TAKEN TO ENSURE SAFETY

- For those persons involved with the operation / service of your system, including Kawasaki Robot, they must strictly observe all safety regulations at all times. They should carefully read the Manuals and other related safety documents.
- Products described in this catalogue are general industrial robots. Therefore, if a customer wishes to use the Robot for special purposes, which might endanger operators or if the Robot has any problems, please contact us. We will be pleased to help you.
- Be careful as Photographs illustrated in this catalogue are frequently taken after removing safety fences and other safety devices stipulated in the safety regulations from the Robot operation system.



ISO certified in Akashi Works and Nishi-Kobe Works.

A selection of robots is available to match your painting application.

Kawasaki K-series robots are explosion-proof painting robots developed on Kawasaki's concept of "Simple and friendly." This range of robots covers all painting applications from small to large, and the fully integrated hose system provides maximum protection against external dust and dirt.

Features

A broad range of robots

Kawasaki offers five basic types of painting robot from the KF121 for small workpieces to the KJ314 for inner and outer bodies of automobiles. We provide a range of robots that covers the requirements of all applications and installations.

Built-in hoses

The hollow wrist (3R) prevents paint mist from adhering on tubes and cables and can minimize the chance of painting defects. The inner diameter of the hollow wrist is either 40 or 70 mm.



Enhanced peripheral units

A control panel is provided to enhance the ease of system development and to interface with the robot traveling unit, workpiece transfer unit, rotation unit, and other devices.

Significant painting experience

Gathering painting robot experience has enabled Kawasaki to put together a robot that will match your every need. The K series has used this information and is now equipped with more advanced functions than ever, resulting in a robot of great capability.

Customer support

Our professional staff will be available for support from the initial planning stage right up to system start up. This service will be of great benefit to those new to painting applications.

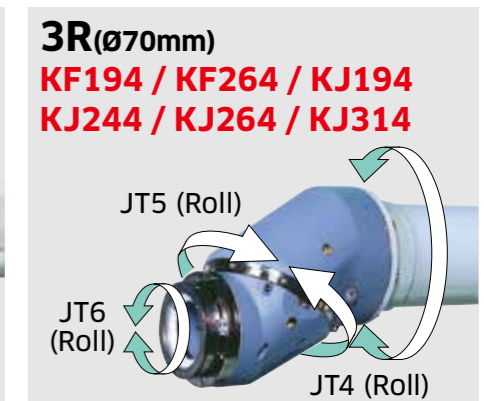
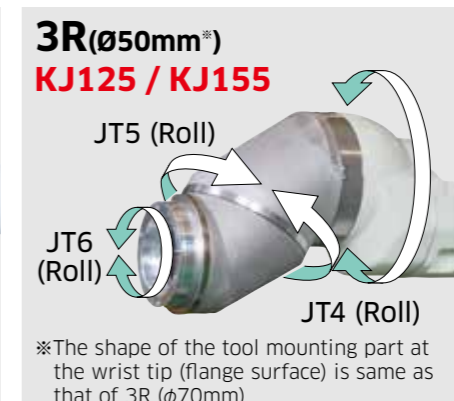
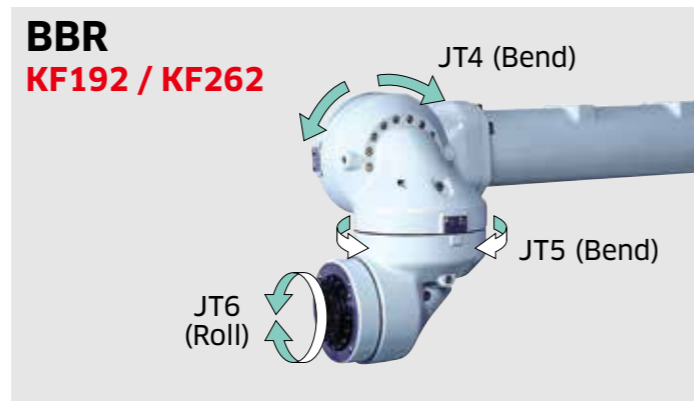
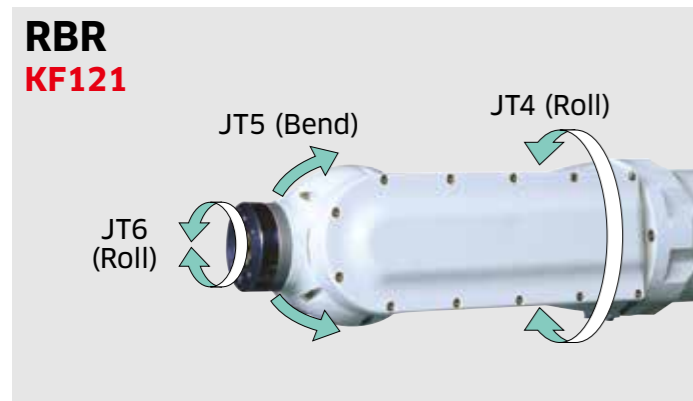


		KF121	KF192	KF193	KF194	KF262	KF263	KF264		KJ125	KJ155	KJ194 (Floor, Shelf)	KJ194 (Wall)	KJ244 (Floor, Shelf)	KJ244 (Wall)	KJ264 (Floor, Shelf)	KJ264 (Wall)	KJ314			
Type		Articulated robot								Articulated robot											
Degree of freedom (axes)		6								6										7	
Payload (kg)		5	Wrist : 12 Arm : 20								Wrist : 8 Arm : 5				Wrist : 15 Arm : 25						
Max. reach (mm) *1		1,240	1,973	1,973	1,978	2,665	2,665	2,668		1,299	1,545	1,940	1,940	2,490	2,490	2,640	2,640	3,100			
Wrist type		RBR	BBR	3R ϕ 40 *2	3R ϕ 70 *2	BBR	3R ϕ 40 *2	3R ϕ 70 *2		3R ϕ 50 *2				3R ϕ 70 *2							
Position repeatability (mm)		\pm 0.2	\pm 0.5	\pm 0.5	\pm 0.5	\pm 0.5	\pm 0.5	\pm 0.5		\pm 0.15 *3	\pm 0.15 *3	\pm 0.5	\pm 0.5	\pm 0.5	\pm 0.5	\pm 0.5	\pm 0.5	\pm 0.5			
Motion range (°)	Arm rotation (JT1)	\pm 160	\pm 150	\pm 150	\pm 150	\pm 150	\pm 150	\pm 150		\pm 160	\pm 160	\pm 120	+30 - -120 *4	\pm 120	+30 - -120 *4	\pm 120	+30 - -120 *4	\pm 120			
	Arm out-in (JT2)	\pm 90	+110 - -60	+110 - -60	+110 - -60	+110 - -60	+110 - -60	+110 - -60		+130 - -80	+130 - -80	+130 - -80	+130 - -80	+130 - -80	+130 - -80	+130 - -80	+130 - -80	+130 - -80			
	Arm up-down (JT3)	\pm 150	+90 - -80	+90 - -80	+90 - -80	+90 - -80	+90 - -80	+90 - -80		+90 - -75	+90 - -75	+90 - -65	+90 - -65	+90 - -65	+90 - -65	+90 - -65	+90 - -65	+90 - -65			
	Wrist swivel (JT4)	\pm 270	\pm 360	\pm 720	\pm 720	\pm 360	\pm 720	\pm 720		\pm 720	\pm 720	\pm 720	\pm 720	\pm 720	\pm 720	\pm 720	\pm 720	\pm 720			
	Wrist bend (JT5)	\pm 145	\pm 360	\pm 720	\pm 720	\pm 360	\pm 720	\pm 720		\pm 720	\pm 720	\pm 720	\pm 720	\pm 720	\pm 720	\pm 720	\pm 720	\pm 720			
	Wrist twist (JT6)	\pm 360	\pm 360	\pm 410	\pm 410	\pm 360	\pm 410	\pm 410		\pm 410	\pm 410	\pm 410	\pm 410	\pm 410	\pm 410	\pm 410	\pm 410	\pm 410			
	Arm swing (JT7)	-	-	-	-	-	-	-		-	-	-	-	-	-	-	-	-	\pm 90		
Painting speed (m/s)		-	1.2	1.2	1.2	1.2	1.2	1.2		1.5	1.5	1.5	1.5	1.5	1.5	1.5	1.5	1.5			
Allowable moment (N·m)	Wrist swivel (JT4)	7.8	33.3	33.1	35.3	33.3	33.1	35.3		21.8	21.8	56.2	56.2	56.2	56.2	56.2	56.2	56.2			
	Wrist bend (JT5)	7.8	28.8	26.7	27.7	28.8	26.7	27.7		17.0	17.0	43.4	43.4	43.4	43.4	43.4	43.4	43.4			
	Wrist twist (JT6)	2.9	7.9	7.9	7.9	7.9	7.9	7.9		8.0	8.0	22.0	22.0	22.0	22.0	22.0	22.0	22.0			
Allowable moment of inertia (kg·m ²)	Wrist swivel (JT4)	0.17	1.28	1.27	1.44	1.20	1.27	1.44		0.90	0.90	2.19	2.19	2.19	2.19	2.19	2.19	2.19			
	Wrist bend (JT5)	0.17	0.96	0.82	0.89	0.90	0.82	0.89		0.54	0.54	1.31	1.31	1.31	1.31	1.31	1.31	1.31			
	Wrist twist (JT6)	0.06	0.11	0.10	0.10	0.11	0.10	0.10		0.12	0.12	0.33	0.33	0.33	0.33	0.33	0.33	0.33			
Mass (kg)		140	690	720	750	720	740	770		190	195	530, 520	520	540, 530	530	540, 530	530	720			
Mounting		Floor, Wall								Floor, Shelf				Wall	Floor, Shelf	Wall	Floor, Shelf	Wall			
Installation environment	Ambient temperature (°C)	0 - 40								0 - 40											
	Relative humidity (%)	35 - 85 (No dew, nor frost allowed)								35 - 85 (No dew, nor frost allowed)											
Power requirements (kVA) *5		1.5	5								3				5						
Explosion-proof construction	America	Compliant *6	-								Compliant *6										
	Canada	Compliant *7	-								Compliant *7										
	Europe			Compliant *8						Compliant *8											
	Korea			Compliant *9						Compliant *9				Consult with Kawasaki				Compliant *9			
	China			Compliant *10						Compliant *10											
	Japan & Asia (except China & Korea)			Compliant *11						Compliant *12											
Controller	America, Canada	E37	-								E35										
	Europe	E47	E45								E45										
	Japan & Asia	E27	E25								E25										

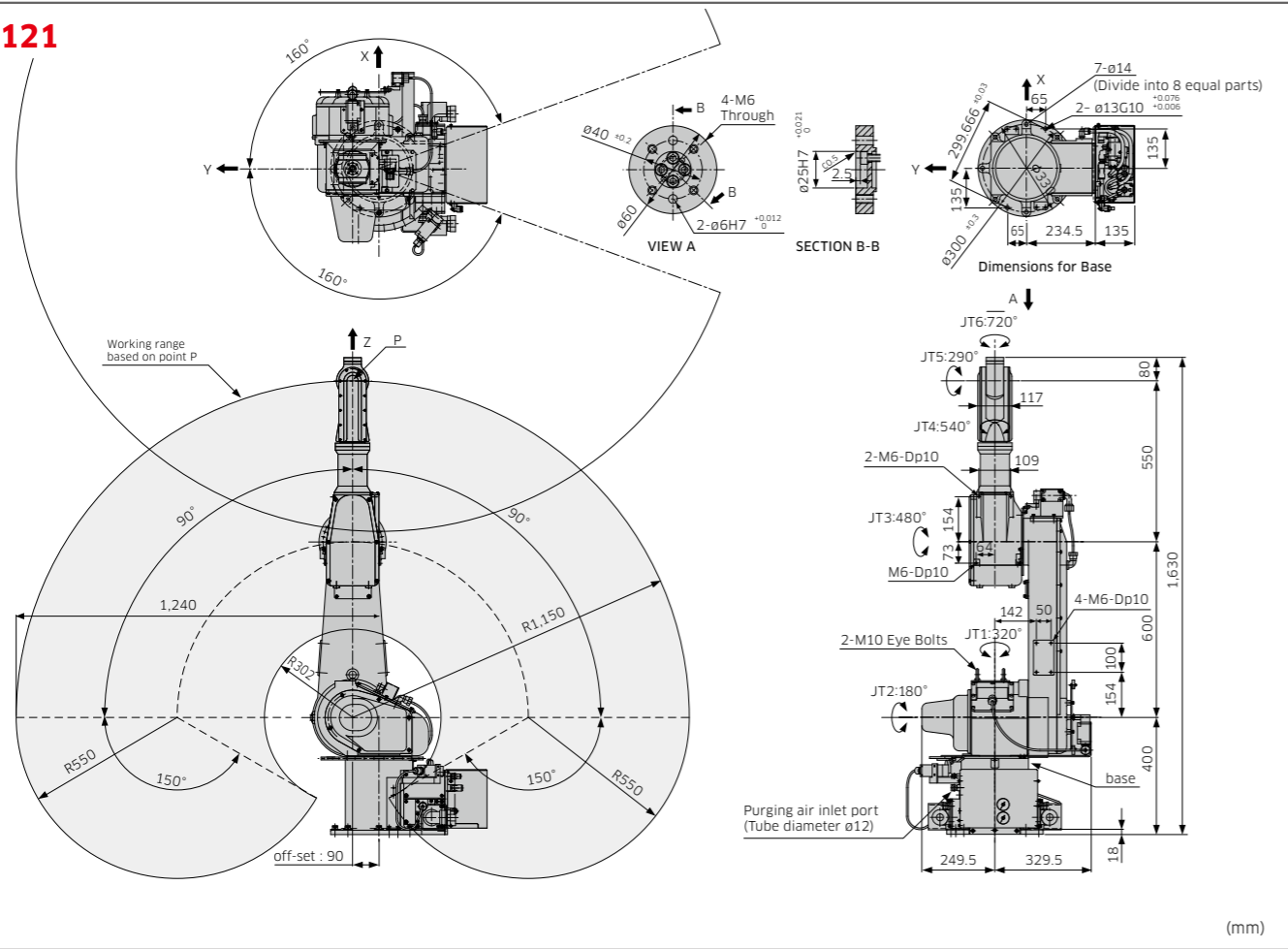
*1 : Maximum reach : The RBR (Roll Bend Roll) wrist refers to the distance from the center of JT1 to the center of JT5. The BBR (Bend Bend Roll) wrist is the distance from the center of JT1 to the center of JT4. The 3R (Roll Roll Roll) wrist of the 6-axis robots is the distance from the center of JT1 to the intersection of JT4 and JT5 axes. The 3R (Roll Roll Roll) wrist of the 7-axis robot is the distance from the center of JT7 to the intersection of JT4 and JT5 axes.

- *2 : Hose built-in
- *3 : Conforms to ISO9283
- *4 : Motion range of JT1 varies depending on the direction of the mounting surface. Viewing from the robot backside, when the mounting surface is located on the left, it is [+30 to -120]. When the surface is on the right side, it is [+30 to -30].
- *5 : Varies depending on the payload and motion patterns.
- *6 : Combination of pressurized type and intrinsically safety type (CL I ZN 1 AEx ib pxb IIB T4 / AEx ib IIB T4 Gb)
- *7 : Combination of pressurized type and intrinsically safety type (Ex ib pxb IIB T4 Gb / Ex ib IIB T4 Gb)
- *8 : Combination of pressurized type and intrinsically safety type (II G Ex pxb ib IIB T4 / Ex ib IIB T4 Gb)
- *9 : Combination of pressurized type and intrinsically safety type (Ex ib pxb IIB T4 Gb / Ex ib IIB T4)
- *10 : Combination of pressurized type and intrinsically safety type (Ex ib px IIB T4 Gb / Ex ib IIB T4 Gb)
- *11 : Combination of pressurized type and intrinsically safety type (Expixib IIB T4 / Ex ib IIB T4 Gb)
- *12 : Combination of pressurized type and intrinsically safety type (FG4 / Ex ib IIB T4 Gb)

Variation of Wrists

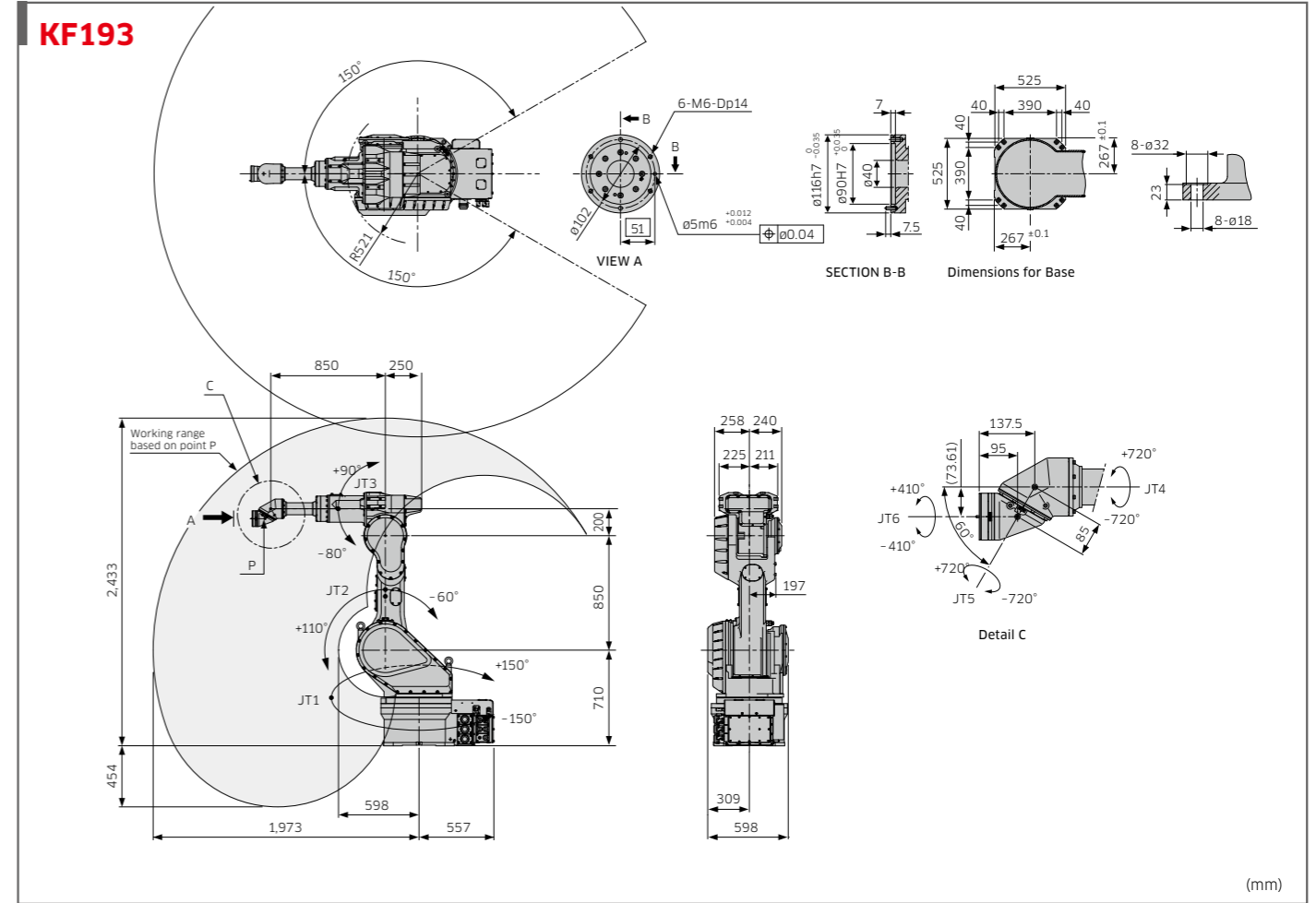


KF121



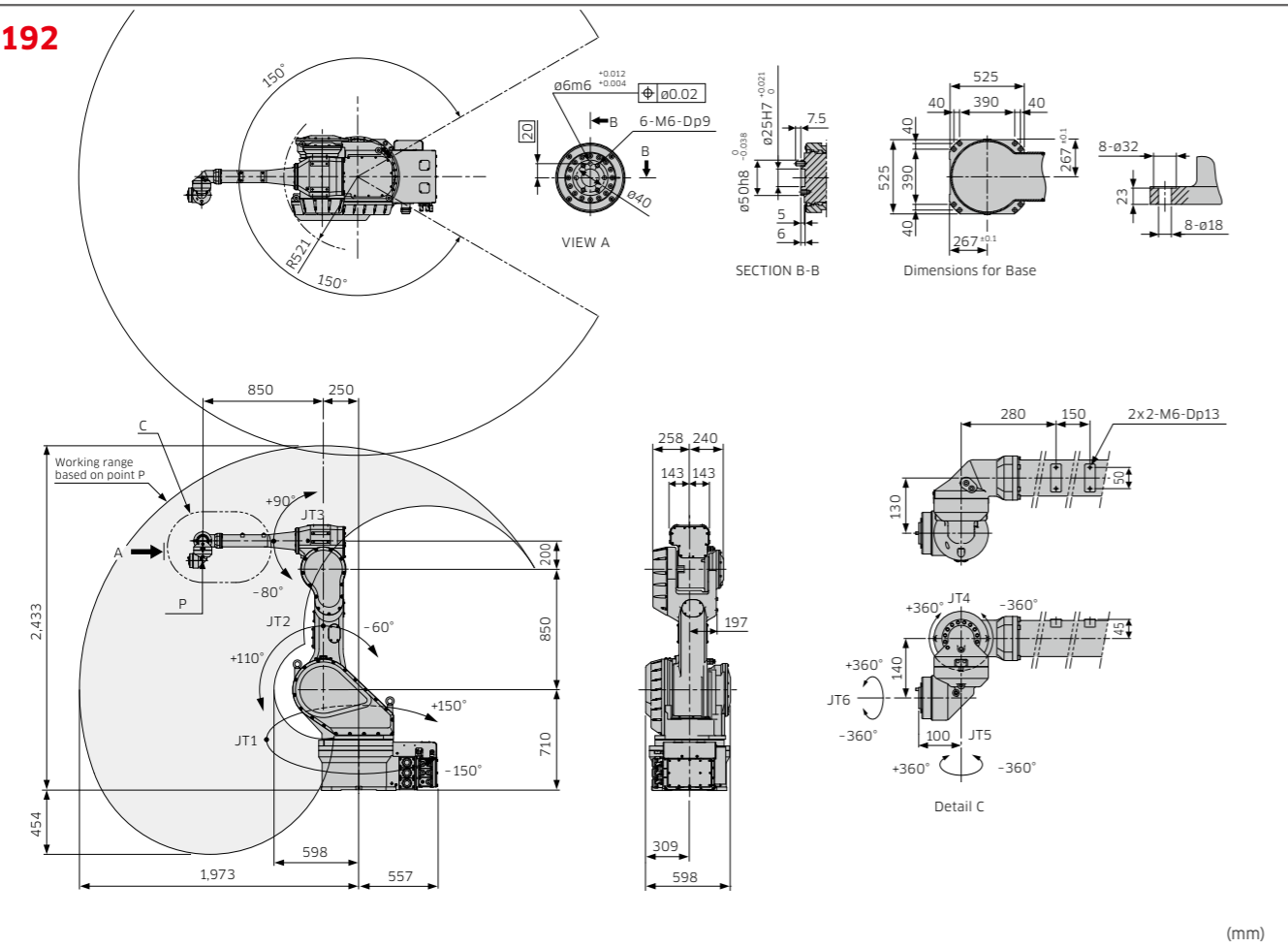
(mm)

KF193



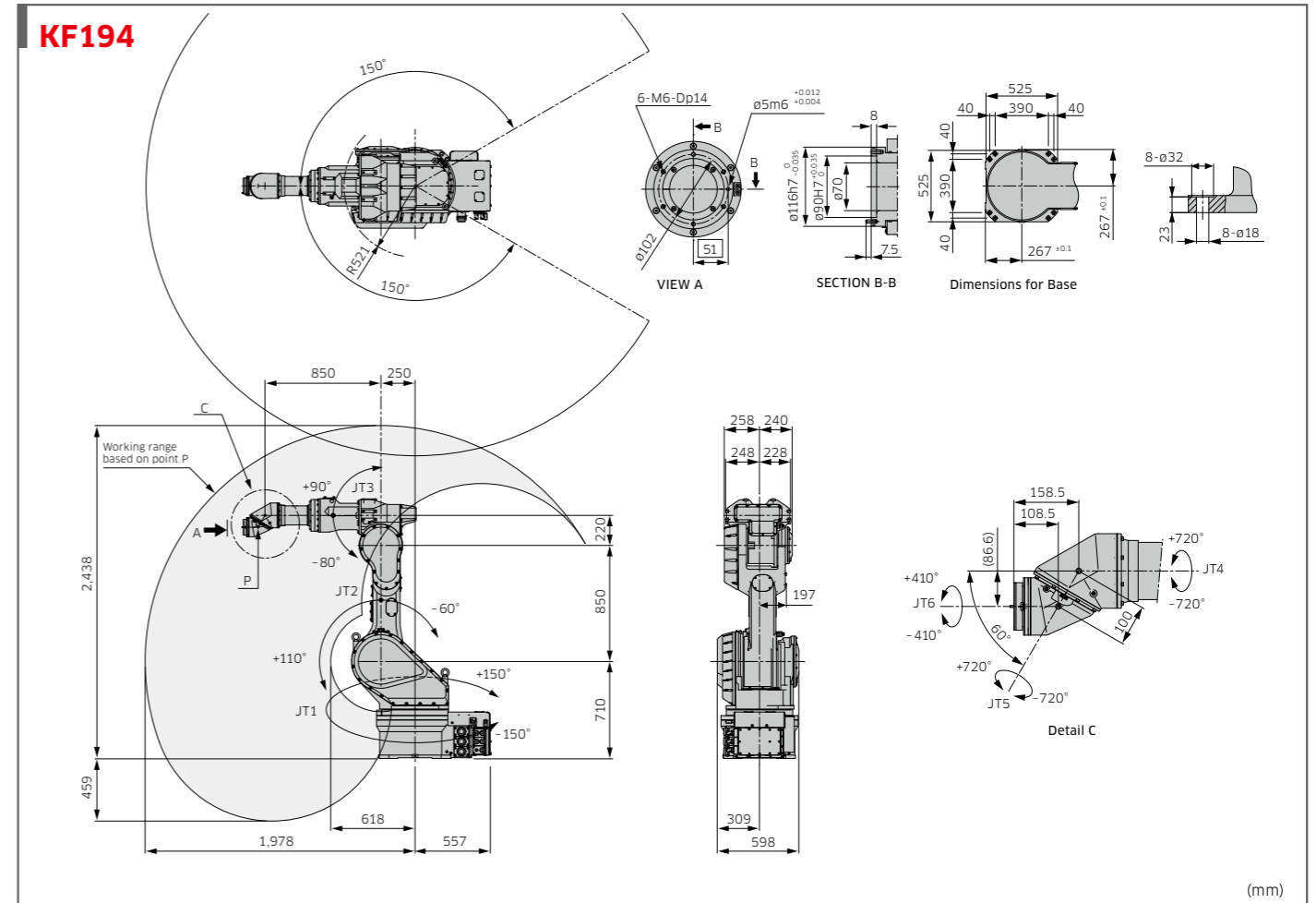
(mm)

KF192



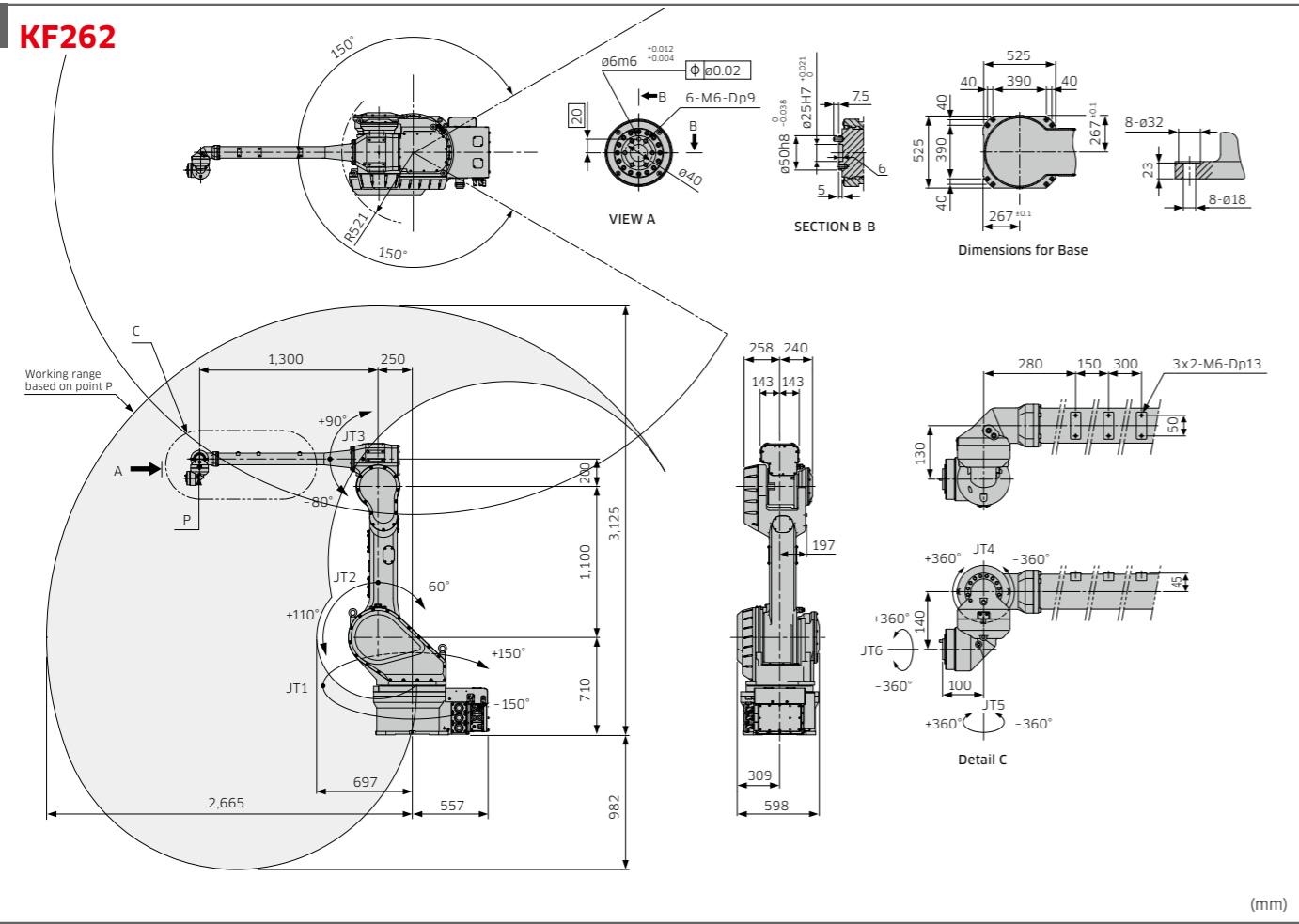
(mm)

KF194



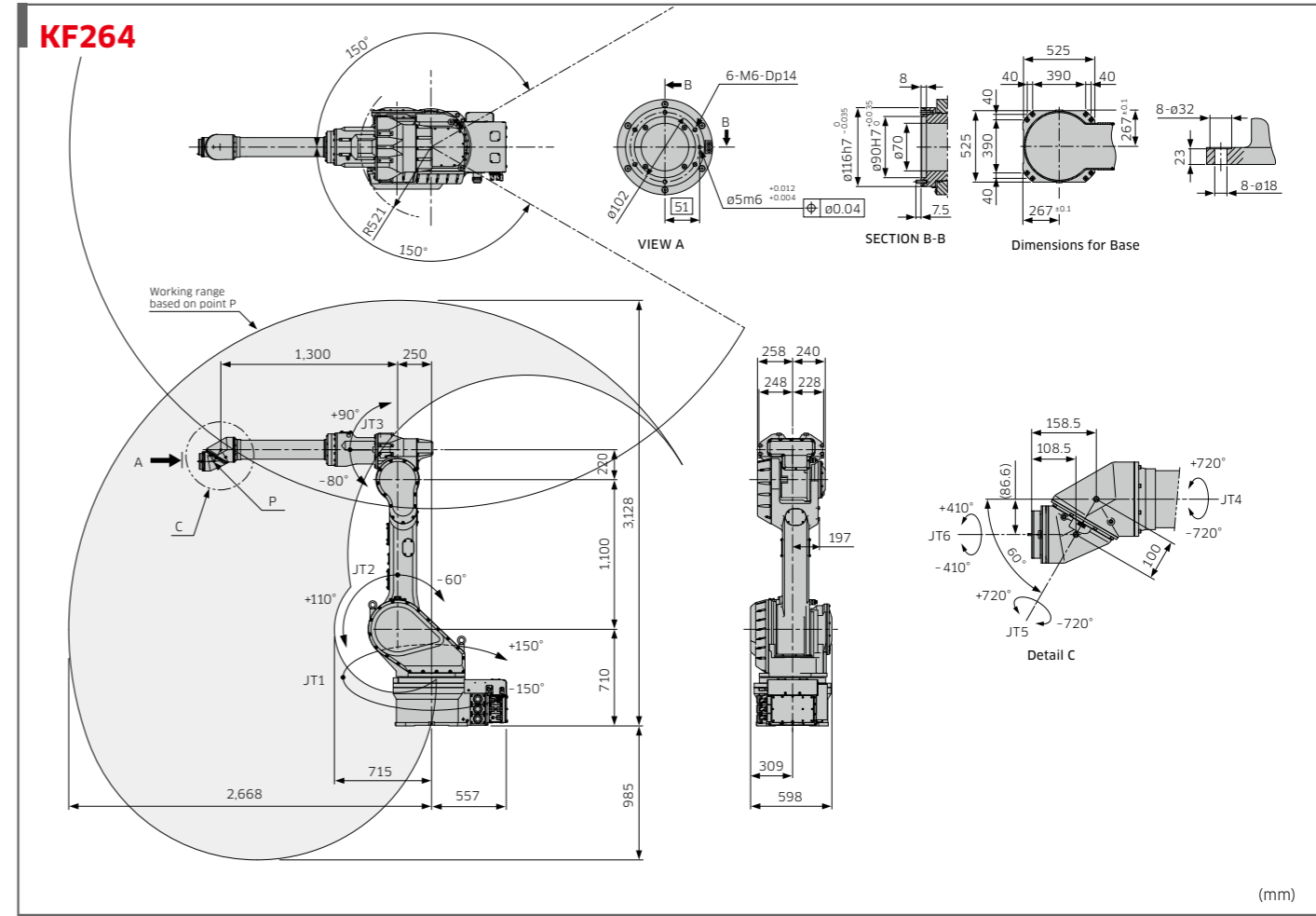
(mm)

KF262



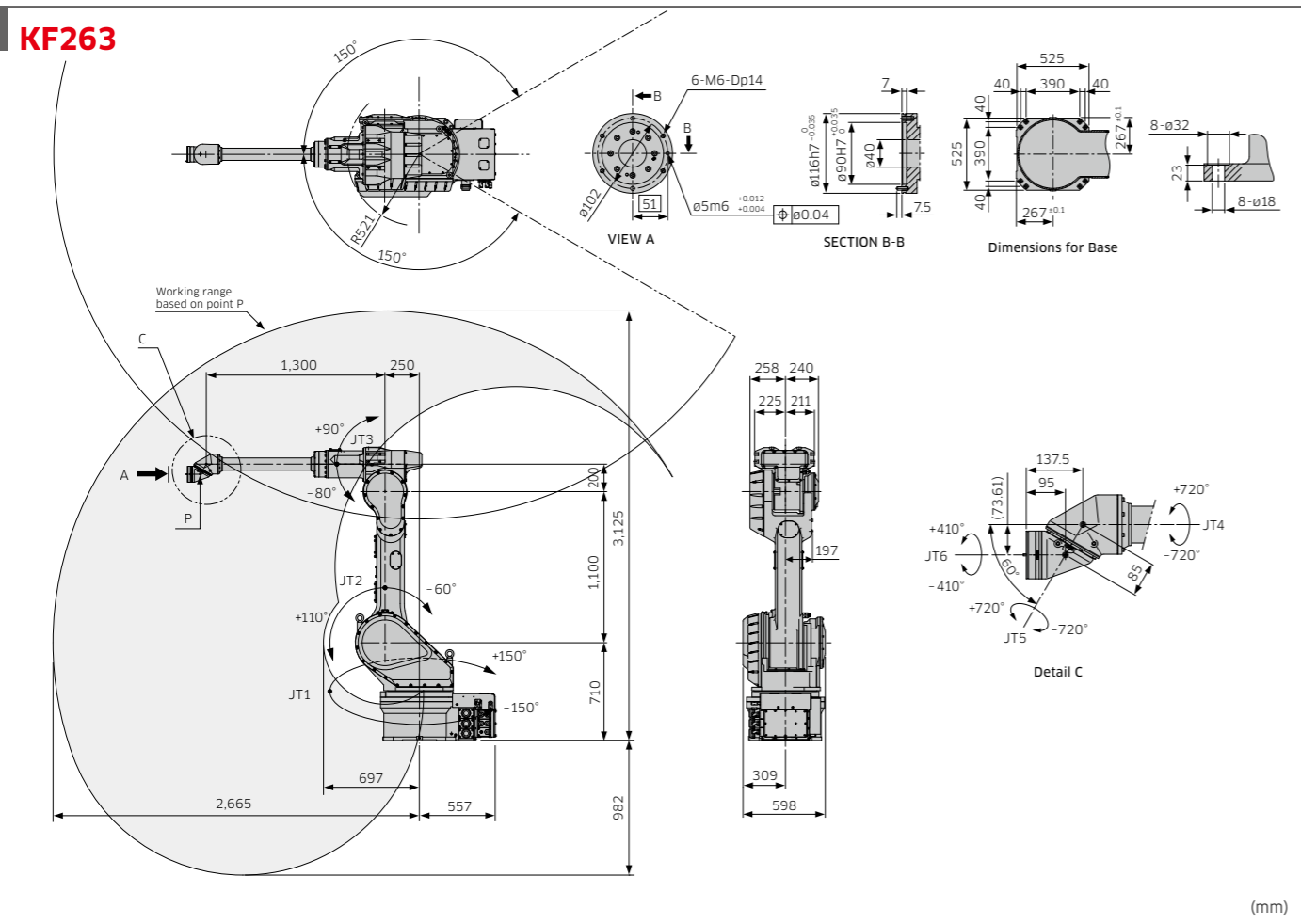
(mm)

KF264



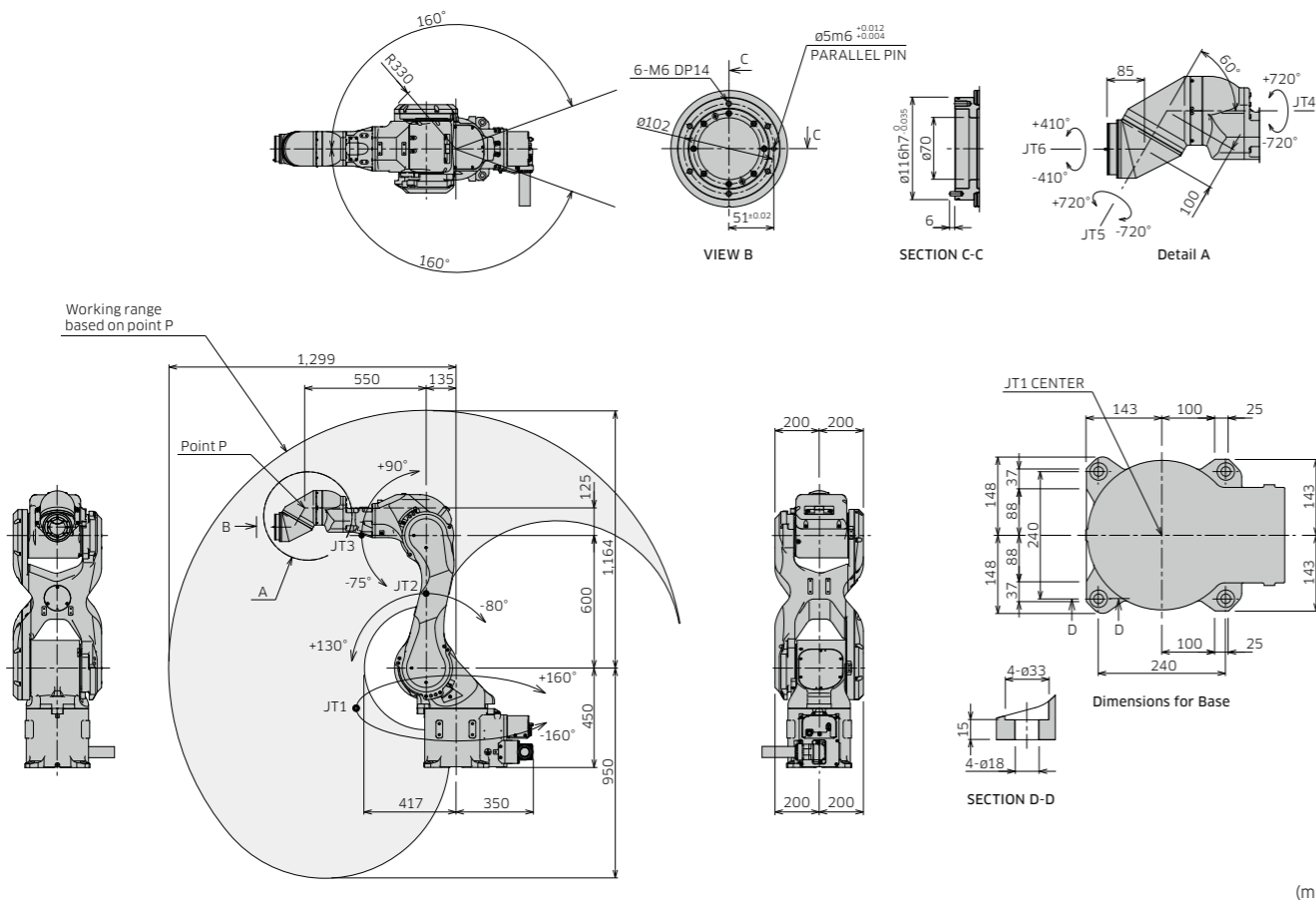
(mm)

KF263

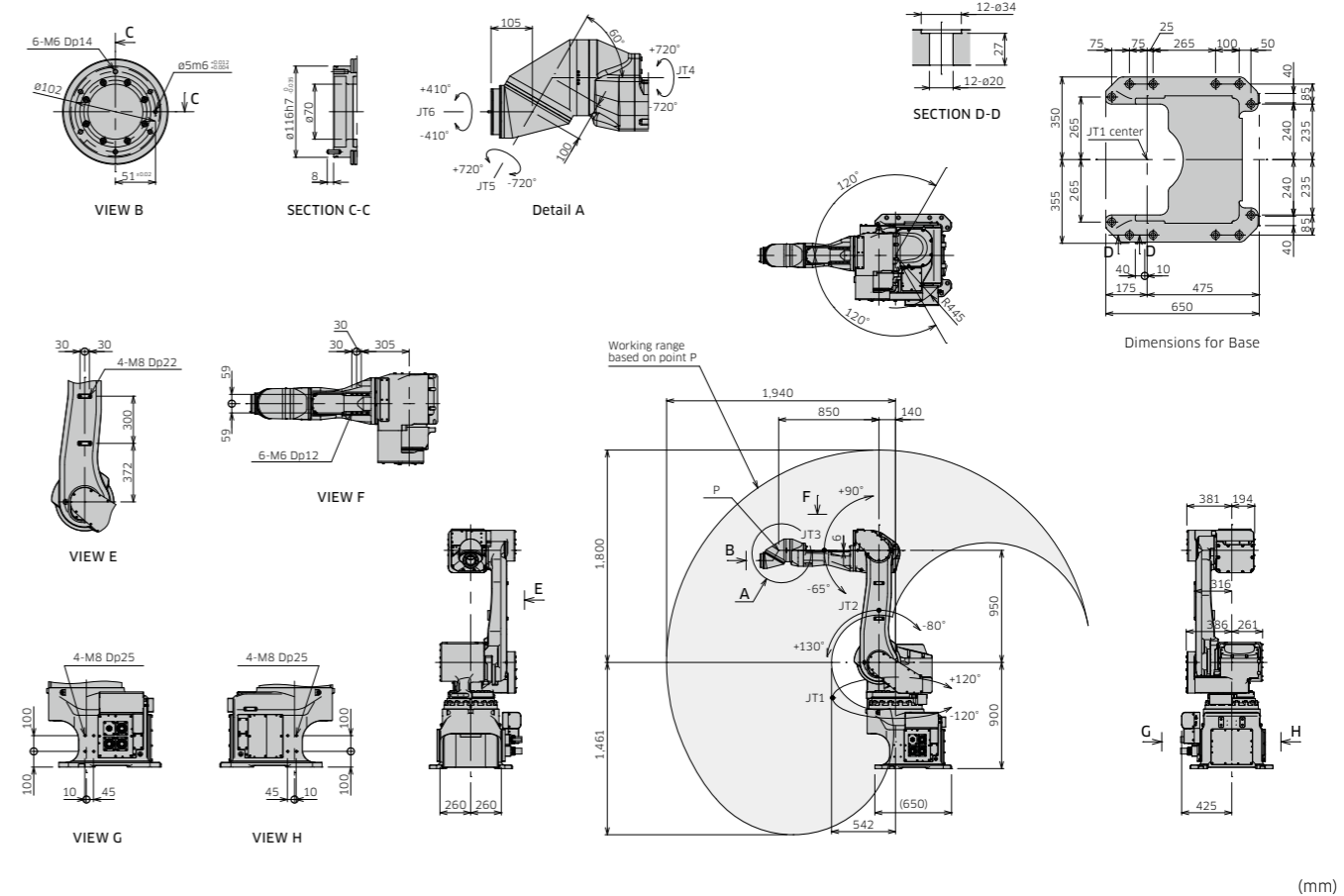


(mm)

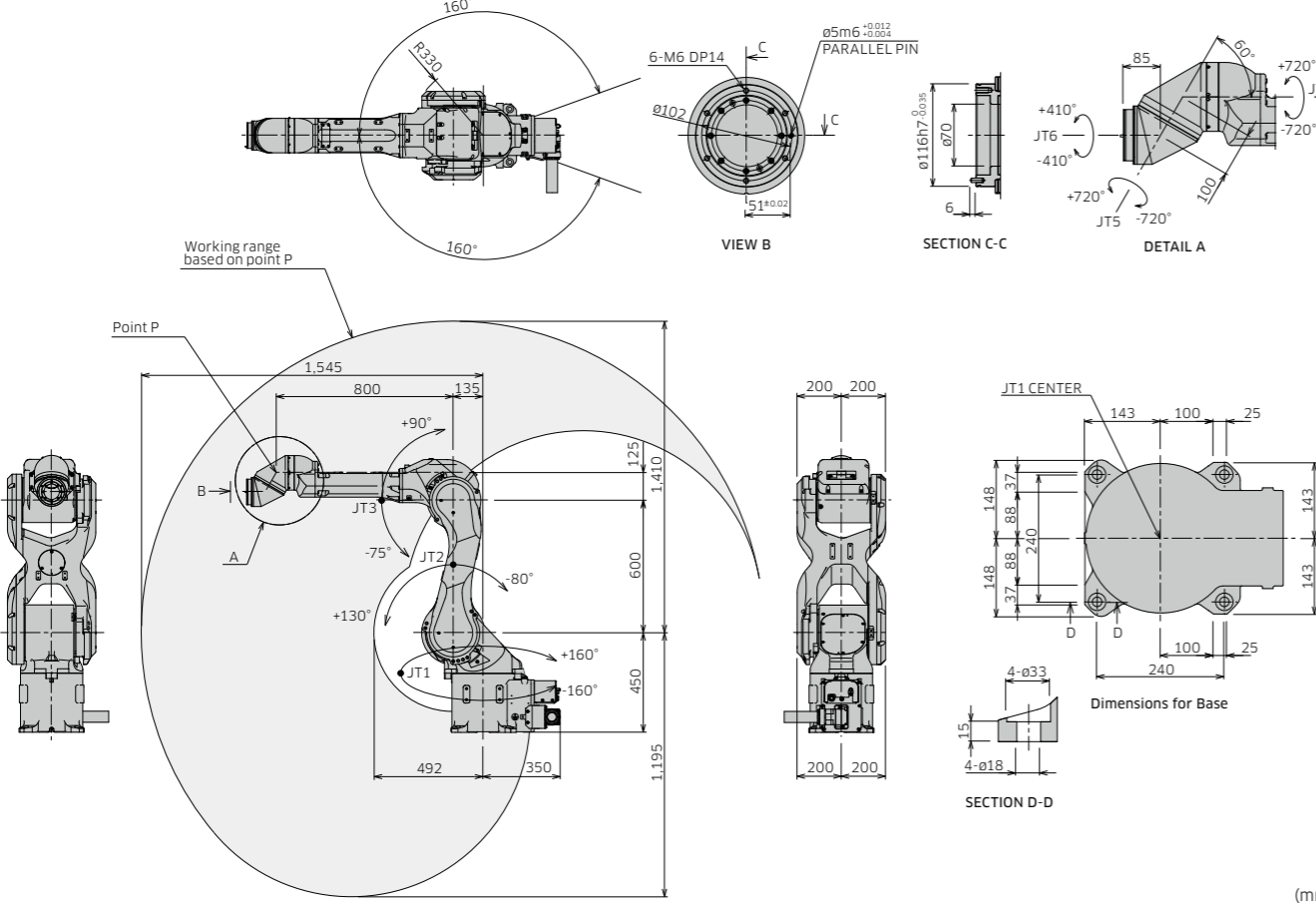
KJ125



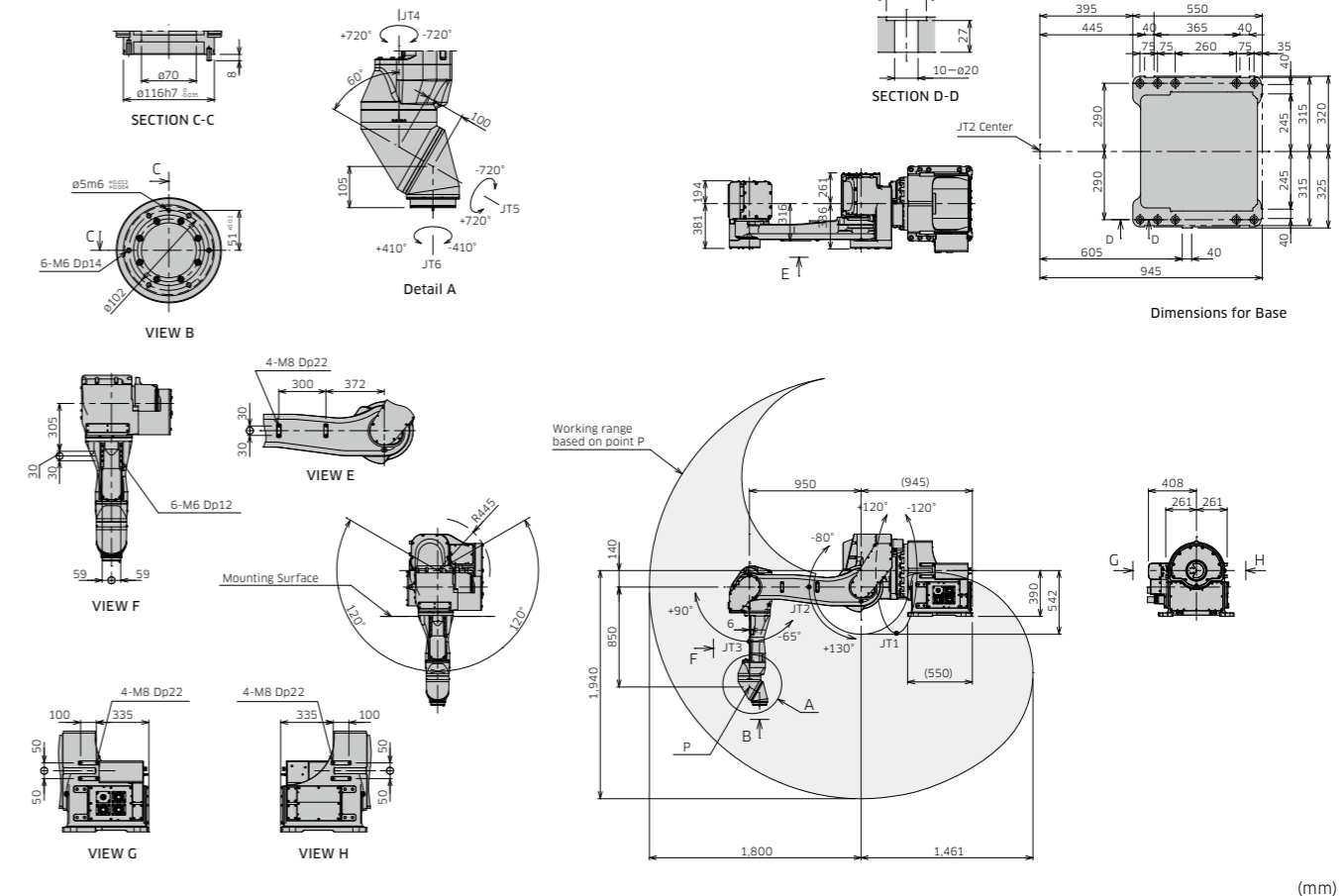
KJ194 (Floor)



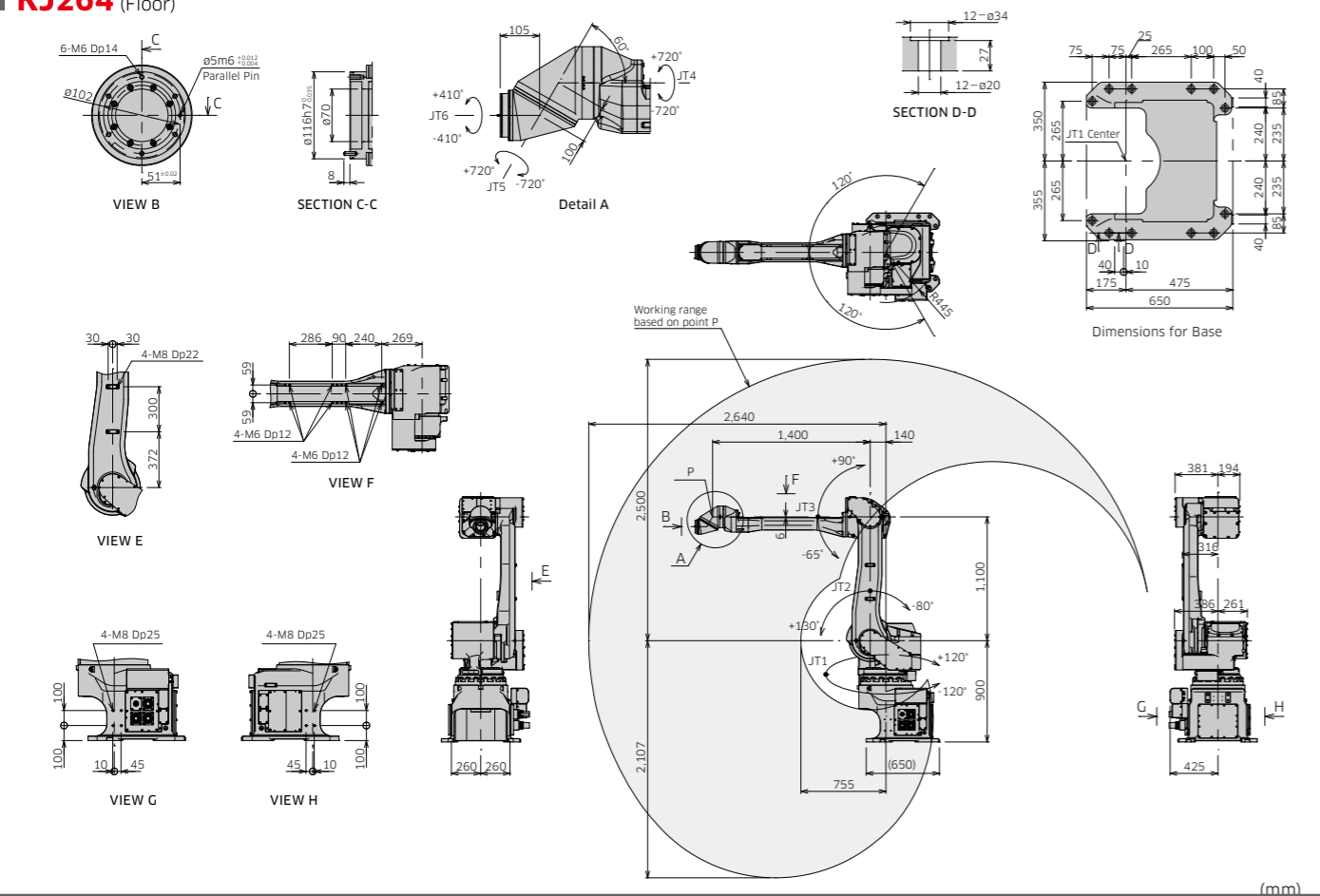
KJ155



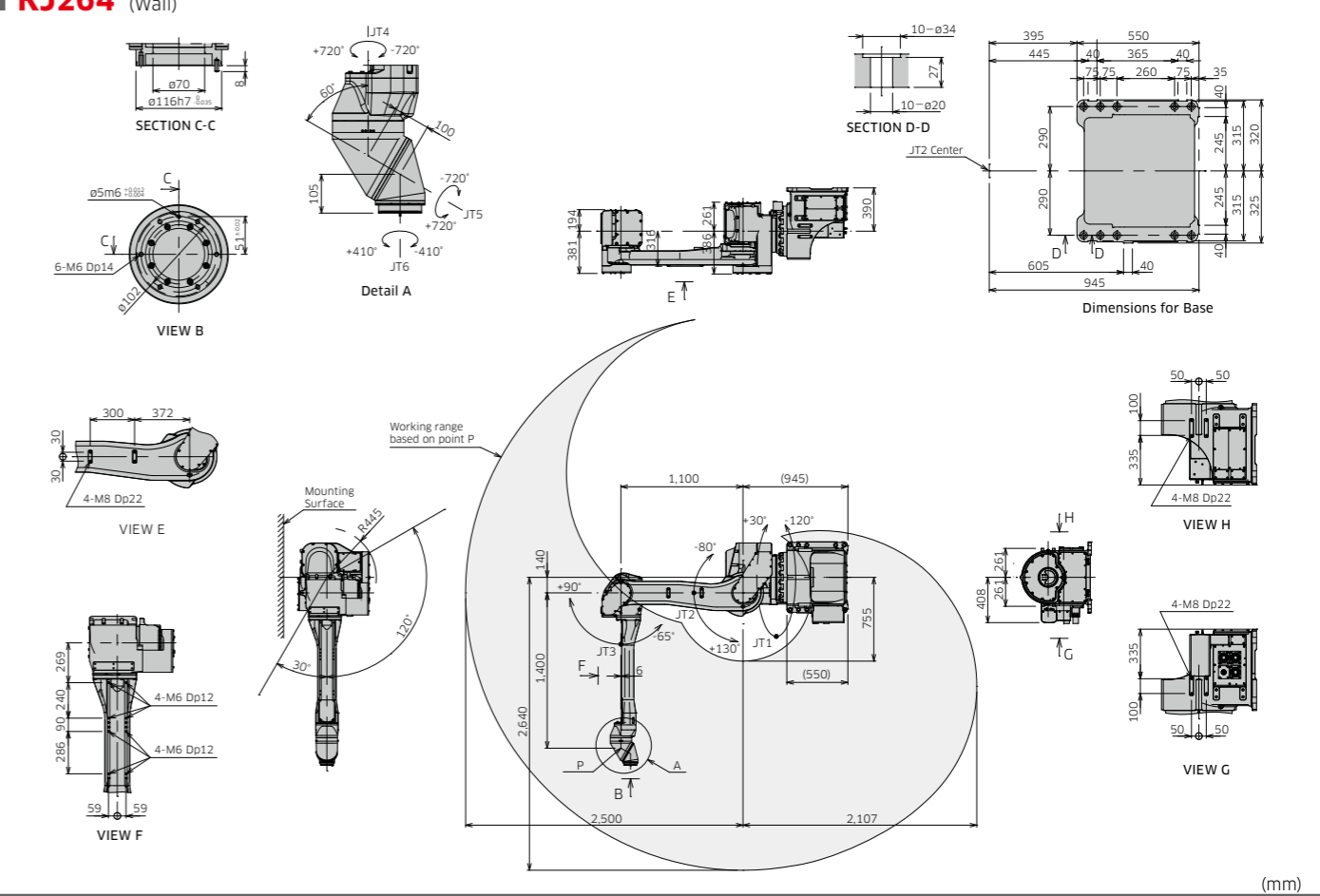
KJ194 (Shelf)



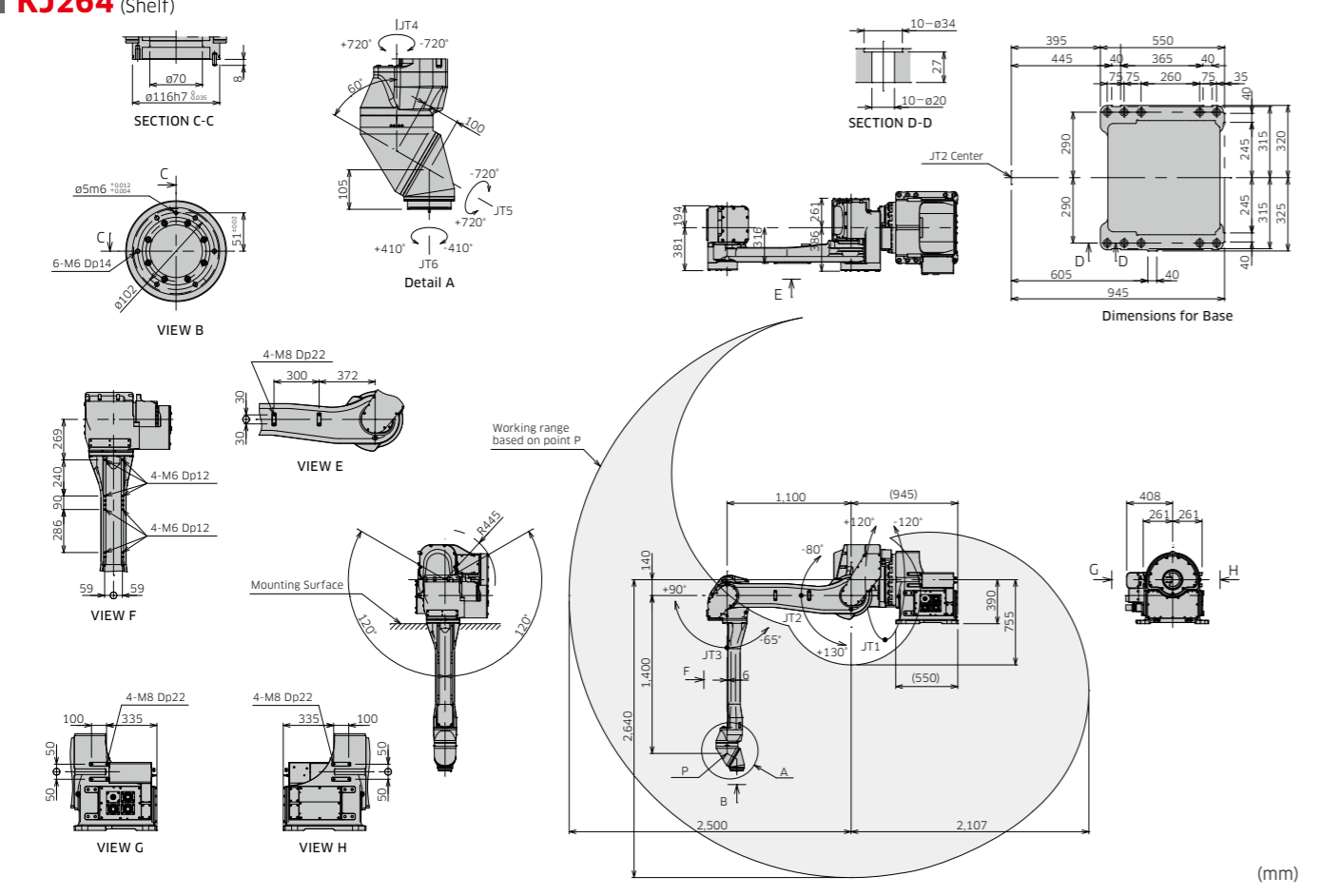
KJ264 (Floor)



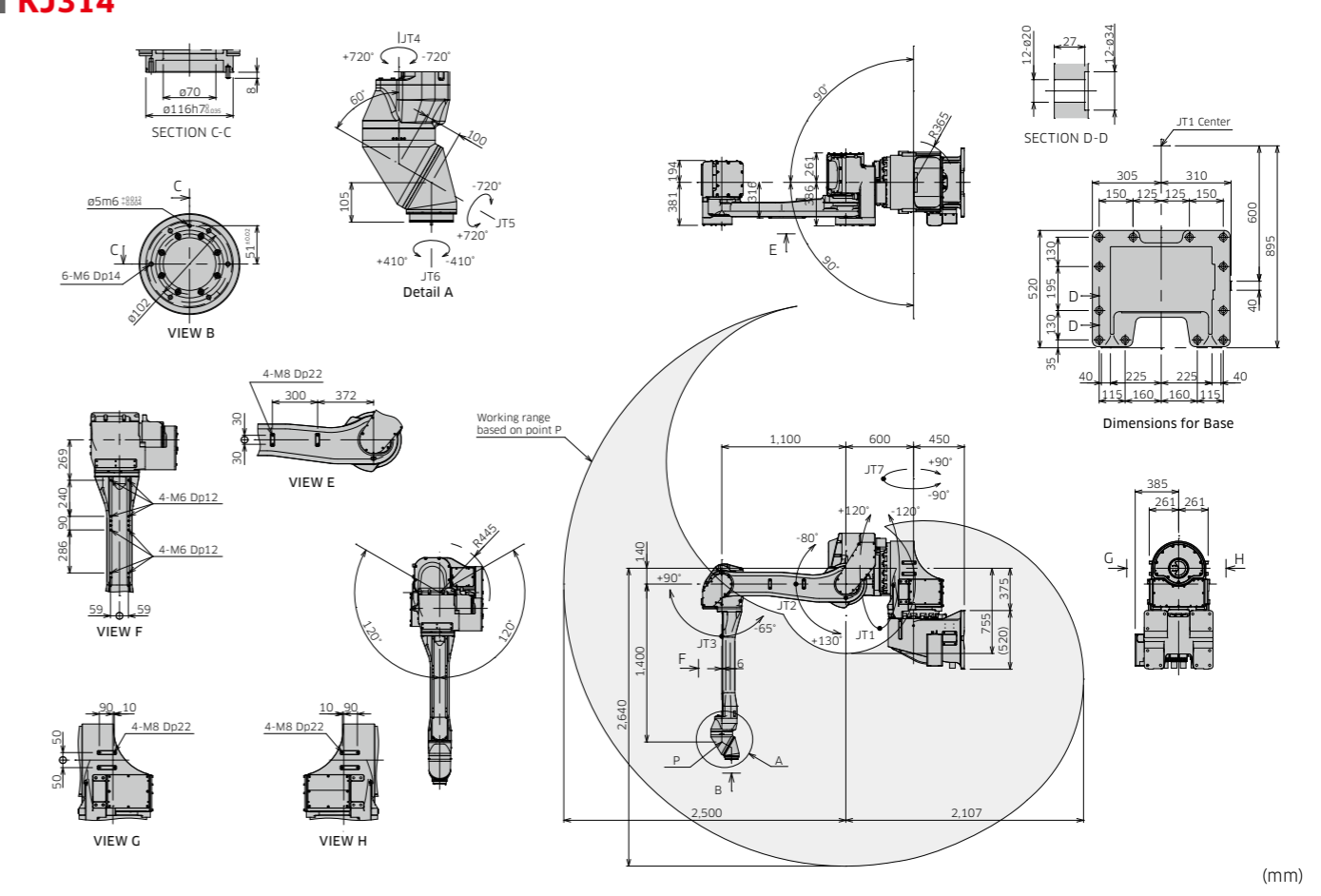
KJ264 (Wall)



KJ264 (Shelf)



KJ314



E series

The E-controller, delivering unprecedented quality with a compact size, was developed to respond to the requirements of our customers. Kawasaki's past achievements and experience have led to the development of the most technically advanced controller available. This industry-leading design provides improved performance and easy operation that surpasses all expectations.

Features

Compact

We have reduced the controller's foot print and overall volume to make high-density layouts easy to achieve.

Explosion-proof teach pendant

The explosion-proof color LCD with its large touch panel allows users to teach, edit, and monitor information such as current position and I/O signals in the explosion-proof area. The interface panel can be customized to meet user preferences, while the backlit screen is easy to read in dark locations.

User-friendly operation system

The operating system has now fully matured into a more user-friendly design. The operator can switch on the motors and activate the cycle start all from the teach pendant, providing more convenient system control. Two information screens can be displayed simultaneously to provide access to different types of information (for example, positional and signal information).

Painting unit control functions (option)

By controlling the CCV, the electro-pneumatic regulator, and the rotation of the discharge control gear pump from the robot controller's CPU board, this low cost, flexible system is compatible with a range of painting devices. You can also set up painting conditions and conduct discharge rate calibration on the teach pendant screen.

Using the latest technologies

The enhanced CPU capacity has resulted in more accurate trajectory control, faster program execution, and quicker saving and loading of files, as well as other advantages. In addition the memory has been expanded to provide greater program storage capacity, while a USB port is also provided as standard for connecting external storage devices.

Easier maintenance

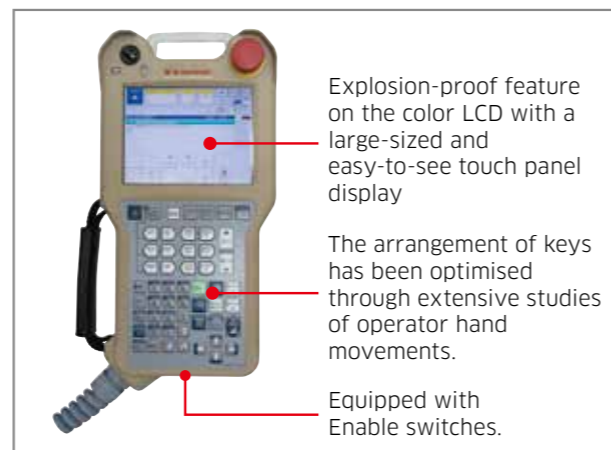
With modular components and fewer cables, Kawasaki has developed a controller that is compact, and easy to maintain. A host of maintenance functions are available, including the DIAG function for self-diagnostics, a maintenance support function that can handle not only hardware errors but also application errors, a Web server that allows remote diagnostics, and more.

Highly expandable

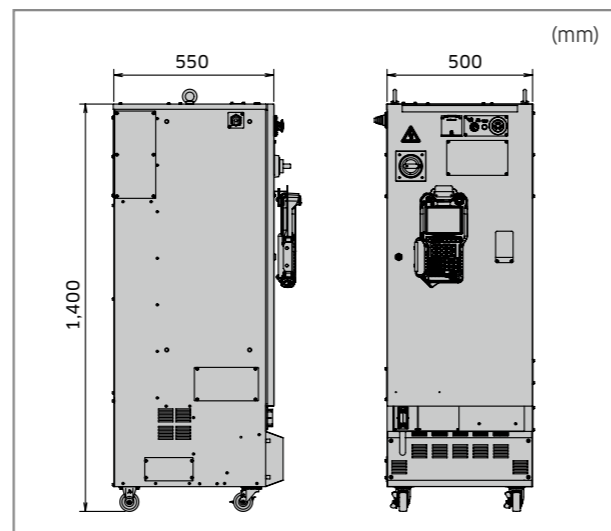
By installing an additional amplifier, and adding workpiece transfer devices (tombow, shuttle, turntable, etc.), travel unit and gear pump, etc., the system can accept up to three external axes. The system is compatible with a large number of field buses for controlling peripheral devices. Combination with software sequencer function (KLogic), which can be edited on the teach pendant, allows easy structuring of a highly sophisticated system.



Explosion-proof teach pendant



External view & dimensions

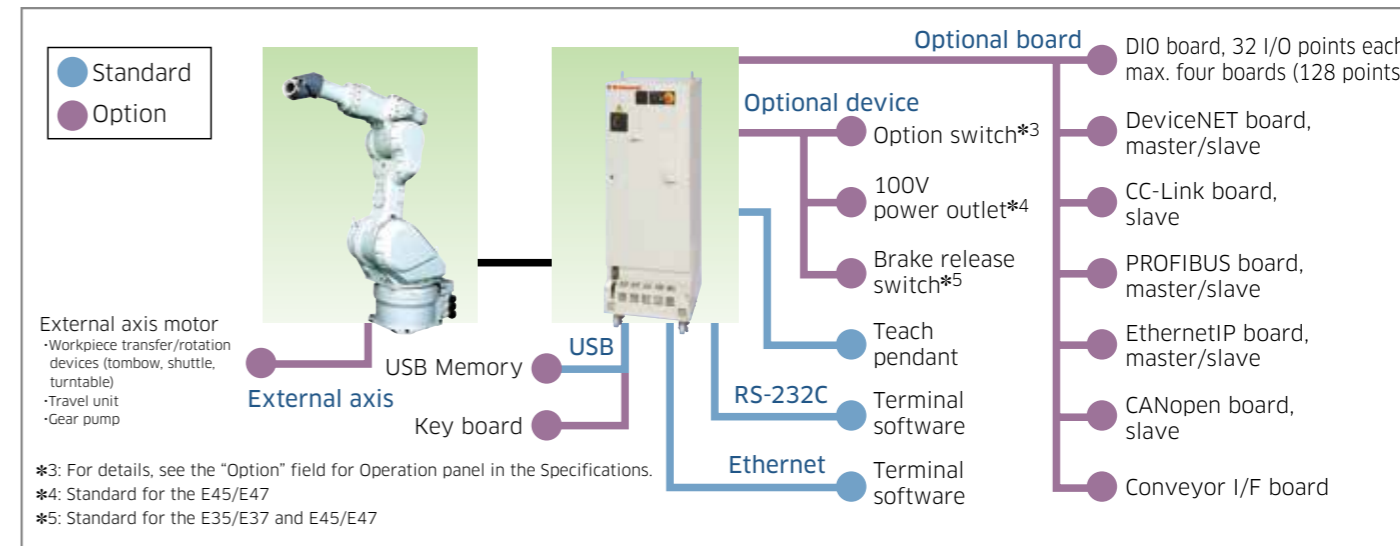


Specifications

	Standard		Option
	E35	E37	
America	E35	E37	Option
Europe	E45	E47	
Japan & Asia	E25	E27	
Dimensions (mm)	W500×D550×H1,400		-
Construction	Enclosed structure/Indirect cooling system		-
Controlled axes	6		Max. 9
Memory capacity (MB)	8		-
I/O signals	External operation	Motor power Off, Hold	
	Input (Channels)	32	Max. 128
	Output (Channels)	32	Max. 128
Cable length	Robot-controller (m)	3 inside the booth, 3 outside the booth	
	Teach pendant (m)	10	
Mass (kg)	120 (E25/E27), 170 (E35/E37, E45/E47)		-
Power requirements	E35/E37	AC440-480V±10%, 60 Hz, 3ø 7.3 kVA (E35)/5.1 kVA (E37) *1 Protective ground, leakage current: 10 mA at maximum	
	E45/E47	AC380-415V±10%, 50/60 Hz, 3ø 7.3 kVA (E45)/5.1 kVA (E47) *1 Protective ground, leakage current: 10 mA at maximum	
	E25/E27	AC200-220V±10%, 50/60 Hz, 3ø 10 kVA (E25)/5.6 kVA (E27) *1 Class-D ground (standard for robots), leakage current: 100 mA at maximum Class-A ground (for intrinsic explosion-proof safety circuits)	
Installation environment	Ambient temperature (°C)	0 - 45	
	Relative humidity (%)	35 - 85 (No dew, nor frost allowed)	
Teach pendant	TFT color LCD display with touch-panel, E-Stop switch, teach lock switch, Enable switch		-
Operation panel	E-stop switch, teach/repeat switch *2, control power light (Cycle start, motor-on, hold/run, and error rest are activated from the teach pendant.)		Cycle start switch, Motor on switch, Hold/Run switch, Error lamp, Error reset switch.
External memory	-		USB Memory
External interface	USB, Ethernet (100BASE-TX), RS232C		-

*1: Power requirements ensure maximum operation of a robot, not those required for normal operations.
*2: The E45/E47 comes with three switches to change between teach/teach 100%/repeat, as standard equipment.

System configuration diagram

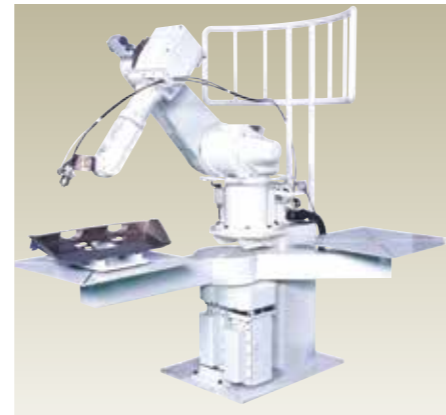


Our robot is available in a “package cell” allowing production to commence almost instantly.

If you need to get your painting system operational quickly, Kawasaki painting package cells are available. These package cells arrive as a compact, ready-to-use units that can be easily installed in a limited space, allowing you to begin the painting process immediately.



Servo shuttle + KF193



Servo twister + KF121

Peripheral Equipment

High quality, efficient spray painting can be achieved by combining high performance workpiece transfer and rotation devices, paint spray control systems of advanced technology and highly developed paint spray robots and atomizers. Kawasaki's various types of peripheral equipment provide ideal paint spray facilities.

Package Cells

To meet customer needs, we offer packaged cells that come in various sizes and configurations, these cells are named, servo twister, servo tombow, servo shuttle, servo spinner, servo turntable and servo wing.

Painting unit control panel (air panel)

The painting unit control panel allows control of the changes to the discharge rate, atomizing air and air patterns to meet complex work applications. Functions such as automatic color change and automatic washing for each specified cycle could be incorporated to suit the customers needs.

Robot travel unit

Robot travel unit synchronizes with robot motion by additional servo drives, thus allowing the painting process to take place on a moving component. Robot travel units can be used during the painting of automobiles, construction machinery, and septic tanks.

“KOSMOS” line control software

In painting processes where two or more robots are in operation, the KOSMOS line control panel provides real time status information and access to production management information.

Line monitoring function

The LCD screen lets you observe the status of the entire system such as work-piece type, color, coating robot and peripheral unit operation, painting conditions, system errors etc.

Data setting function

The graphical interface of the touch panel allows the setting and changing of the coating requirements and coating unit control panel.

- Paint flow rate, atomizing air pressure, pattern air pressure and the other painting requirement settings.
- Time chart setting for color change, gun cleaning etc.
- Program number setting for each work-piece type and color.
- CCV number setting for each color

Statistical functions

Available data for production management include, production statistics, error statistics, paint consumption, etc.



Painting unit control panel



Line control panel

Package cell

Small sized painting applications

Servo Tombow

Space saving and easy-to-install

1. Smooth movement

Servo motion control provides smooth movement to eliminate work slippage.

2. Higher painting quality

For small cubical boxes (electronic appliances such as TV cabinets, etc.), the spray gun can be oriented to each surface at a right angle. The distance between the gun and the surface can also be adjusted simply by entering a value. These features enable easy operation and enhance the painting quality.

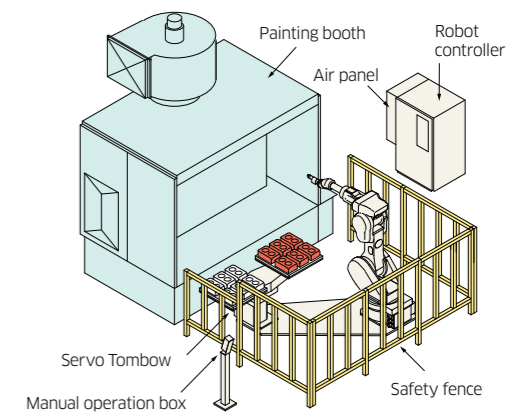
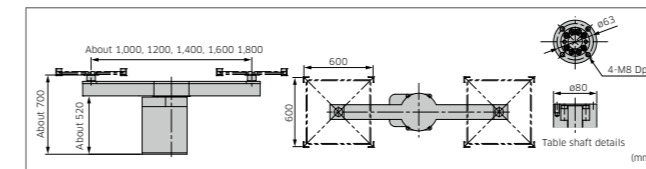
3. Synchronous operation with the robot

The Servo Tombow's table rotation is synchronized with the robot movements, assuring a uniform paint finish for cylindrical shaped components such as hot plates, wooden trays, automobile hubs etc. The Tombow table offers 360 degrees of rotation.

4. Preventing paint mist accumulation

To reduce the problem of paint mist accumulation, workpieces can be positioned above a water tank when spraying.

External View and Dimensions



Specifications

	Standard	Heavy load carrying	
Table load	20 kg x 2 Table	40 kg x 2 Table	
No. of control axes	Robot 6+Servo tombow 2		
Control method	Servo control		
Teaching playback method	PTP teaching+CP control		
Position detection method	Absolute encoder		
Arm	Diameter (mm)	1,000, 1,200, 1,400, 1,600, 1,800	
	Operation angle (°)	180	
	Indexing time (sec)	2.0/180°	2.4/180°
Table	Operation angle	Infinite revolution	
	Indexing angle (°)	90-deg and arbitrary angle	
	Indexing time (sec)	0.8/90°	1.2/90°
Table	Uninterrupted rotary speed (rpm)	Max. 90	Max. 45
	Rotary direction	Normal/reverse rotation	
Explosion protection	Air pressurized explosion protection and intrinsically safe. Explosion-proof composite type (Exp II BT4 / Exib II BT4)		
Mass (kg)	Approx. 140 - 160		
Color	Munsell 10GY9/1 equivalent		

Note: The standard arm lengths are 1,000 mm, 1,200 mm, 1,400 mm, 1,600 mm and 1,800 mm. The work loading table and loading fixtures to be prepared by the purchaser.

Small sized painting applications

Servo Tombow - R

Enhanced space efficiency

1. Space efficient

The paint robot is installed at the center of the Servo Tombow painting system, thereby achieving greater space efficiency.

2. Adaptability to different painting conditions

The tables and arm can be positioned and speed-controlled with a high level of precision. The tables can also be continuously rotated and fixed at any desired angle, making it possible to select the best painting method for the workpiece.

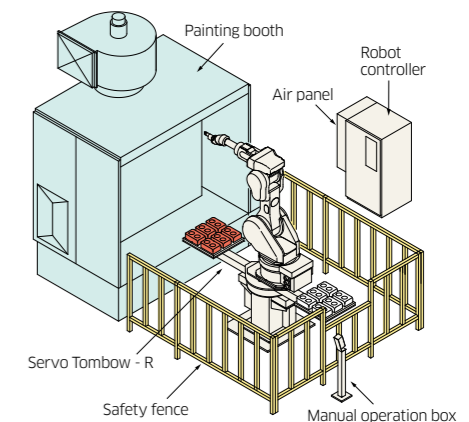
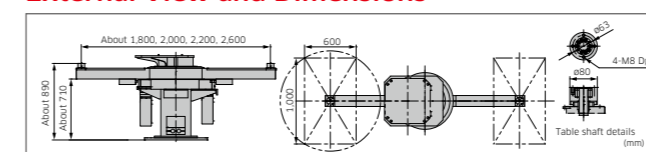
3. Enhanced paint quality

There are few obstacles surrounding the tables, allowing the paint robot to freely change its posture. The lack of obstacles also means that the airflow inside the booth does not become too turbulent. These advantages lead to an improved level of paint quality.

4. Ideal for automated transportation equipment

This system attaches and removes workpieces behind the paint robot. As a result, this system can be easily combined with automated transportation equipment that uses conveyors or delivery robots.

External View and Dimensions



Specifications

	Standard	Heavy load carrying	
Table load	20 kg x 2 Table	40 kg x 2 Table	
No. of control axes	Robot 6+Servo tombow 2		
Control method	Servo control		
Teaching playback method	PTP teaching+CP control		
Position detection method	Absolute encoder		
Arm	Diameter (mm)	1,800, 2,000, 2,200, 2,600	
	Operation angle (°)	180	
	Indexing time (sec)	4/180°	
Table	Operation angle	Infinite revolution	
	Indexing angle (°)	90-deg and arbitrary angle	
	Indexing time (sec)	1.0/90°	1.7/90°
Table	Uninterrupted rotary speed (rpm)	Max. 120	Max. 45
	Rotary direction	Normal/reverse rotation	
Explosion protection	Air pressurized explosion protection and intrinsically safe. Explosion-proof composite type (Exp II BT4 / Exib II BT4)		
Mass (kg)	Approx. 550-690 (excluding the manipulator base)		
Color	Munsell 10GY9/1 equivalent		

Note: A set of work loading tables and loading fixtures are necessary. Install the Manipulator KF121 onto a tombow-R with an arm length of 1,800 mm or 2,000 mm. Install the Manipulator KF192/193/194 onto a tombow-R with an arm length of 2,200 mm or 2,600 mm.

Small sized painting applications

Servo Twister

A compact but sophisticated system

1. Small installation space

The minimum installation space required for this system is 2,200 mm wide x 1,966 mm long for a 600 x 600 mm table. Such compactness allows you to install this system in a narrow hand-blowing booth.

2. Rotary table functions

In spite of its small size the Servo Twister provides rotary coating, indexed coating and rotary synchronization functions.

3. 6-axis robots

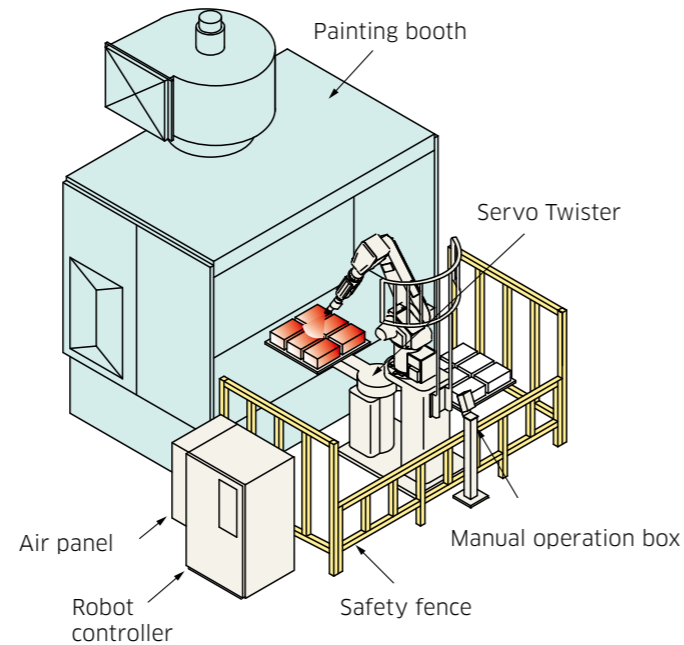
The Servo Twister installation uses a 6-axis, articulated robot.

4. Shared coating program

The integration of the robot and painting table into one unit allows for programs to be shared by more than one robot.

5. Short installation time

The servo twister cell can be built before delivery, so that the installation time is as shortened and in production as soon as possible.

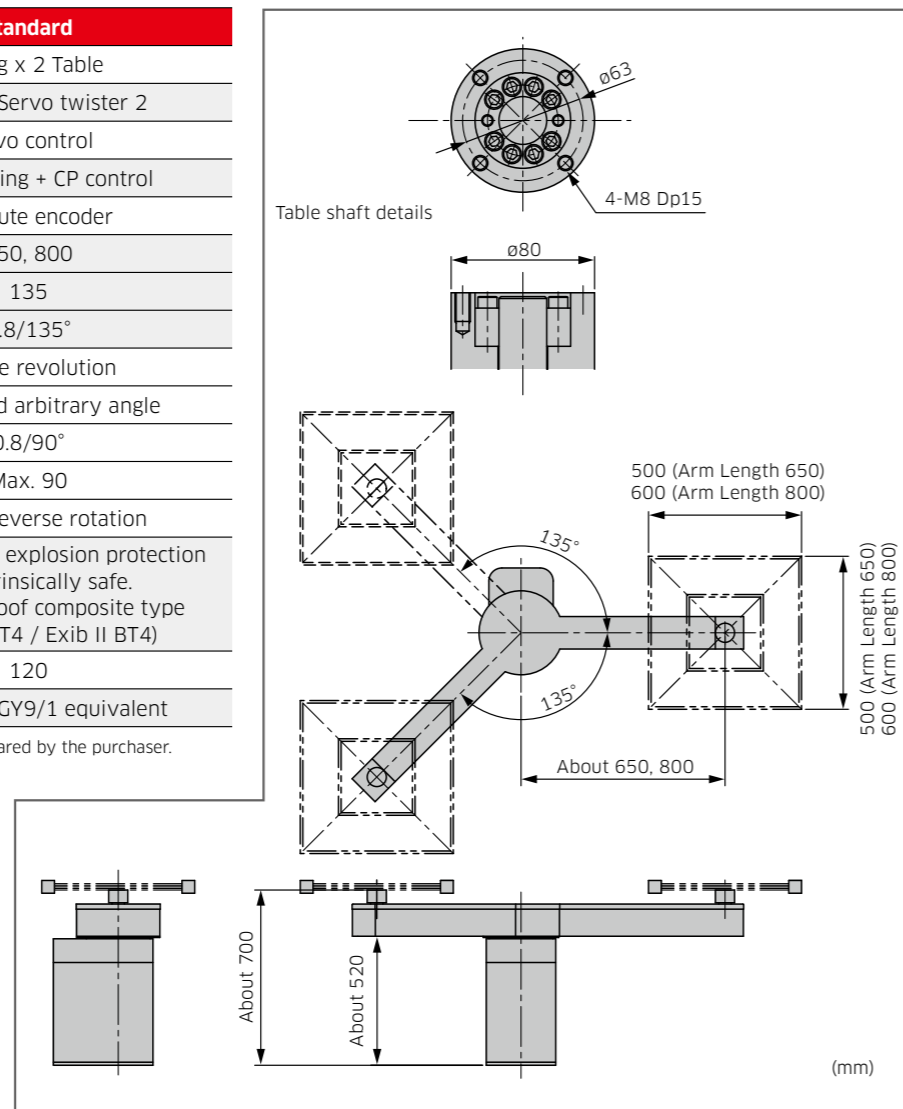


Specifications

		Standard
Table load		20 kg x 2 Table
No. of control axes		Robot 6+Servo twister 2
Control method		Servo control
Teaching playback method		PTP teaching + CP control
Position detection method		Absolute encoder
Arm	Length (mm)	650, 800
	Operation angle (°)	135
	Indexing time (sec)	1.8/135°
Table	Operation angle	Infinite revolution
	Indexing angle (°)	90-deg and arbitrary angle
	Indexing time (sec)	0.8/90°
	Uninterrupted rotary speed (rpm)	Max. 90
Rotary direction		Normal/reverse rotation
Explosion protection		Air pressurized explosion protection and intrinsically safe. Explosion-proof composite type (Expib II BT4 / Exib II BT4)
Mass (kg)		120
Color		Munsell 10GY9/1 equivalent

Note : The work loading table and loading fixtures to be prepared by the purchaser.

External View and Dimensions



Medium sized work-piece painting cell

Servo Shuttle

Ultimate "table painting" type

1. Improvement in productivity

Servo motion provides high speed work transfer and table rotation with shock-less smooth start and stop motion, and also enables continuous rotation tracking with robot and any stand-by position of feeder.

2. Higher coating quality

Controlling the position of the table provides the optimum painting position. This combined with the high-speed, high-precision robot with the servo shuttle enables high-quality painting.

3. Simple teaching

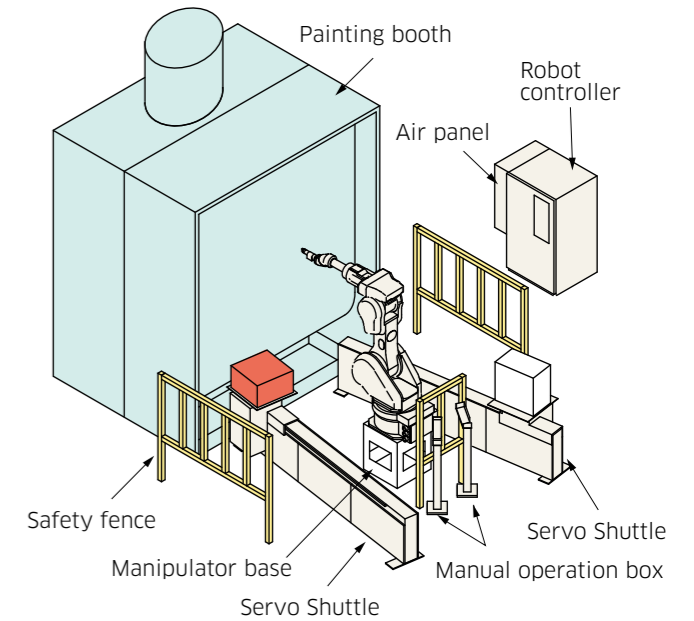
The simple teaching function provided by the KF series painting robot eliminates time-consuming program teaching.

4. Increased table load

The system can be used for painting large TV cabinets, sanitary ware, automobile instrument panels etc.

5. Simple installation

This complete package is simple to install, but will provide for the painting of the most complex of components.

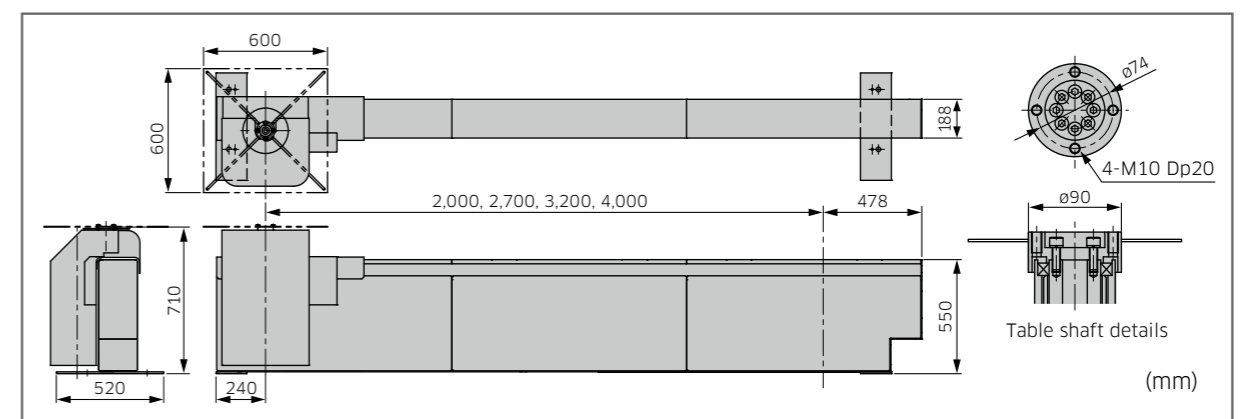


Specifications

	Standard	Heavy load carrying	
Table load	20 kg x 2 Table	60 kg x 2 Table	
No. of control axes	Robot 6+Servo shuttle 2		
Control method	Servo control		
Teaching playback method	PTP teaching + CP control		
Position detection method	Absolute encoder		
Shuttle	Stroke (mm)	2,000, 2,700, 3,200, 4,000	
	Max. speed (mm/sec)	1,000	
Table	Operation angle	Infinite revolution	
	Indexing angle (°)	90-deg and arbitrary angle	
	Indexing time (sec)	0.8/90°	1.2/90°
	Uninterrupted rotary speed (rpm)	Max. 90	Max. 45
Rotary direction	Normal/reverse rotation		
Intermediate stop function	The intermediate stop function and multiple coating control function are available.		
Explosion protection	Air pressurized explosion protection and intrinsically safe. Explosion-proof composite type (Expib II BT4 / Exib II BT4)		
Mass (kg)	One side: 300 to 500		
Color	Munsell 10GY9/1 equivalent		

Note : The work loading table and loading fixtures to be prepared by the purchaser.

External View and Dimensions



Medium sized work-piece painting cell

Servo Wing

The installation space for "Table Painting" was made even smaller.

1. Space Saving

While suitable for workpieces of a larger size than in the Servo Shuttle, the installation space is made smaller. Because the left and right workpieces are closer together, loading and unloading work is reduced.

2. Even Small-sized Robots Cope with Large Work-pieces.

Because there is one painting position, the distance between the workpiece and the robot becomes closer, making the robot possibly smaller than that in Servo Shuttle.

3. Less teaching work

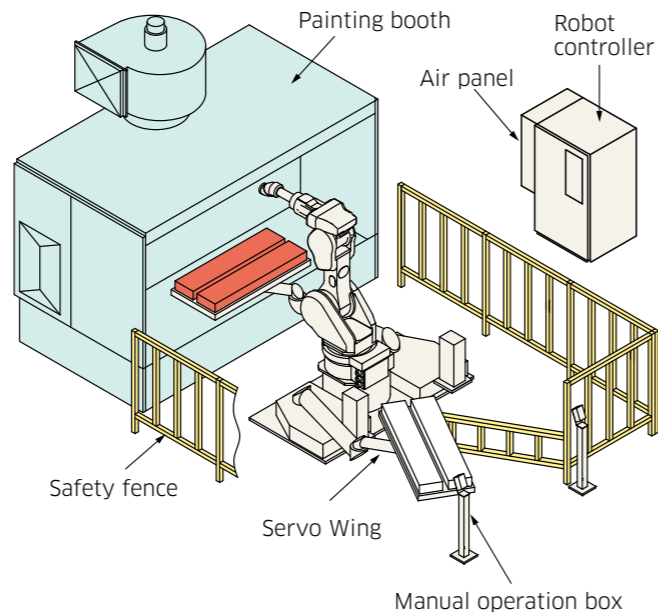
Because the left and right arms can be set for the same painting positions (one position), a single program can be used, thus making the teaching time shorter.

4. Preventing paint mist accumulation

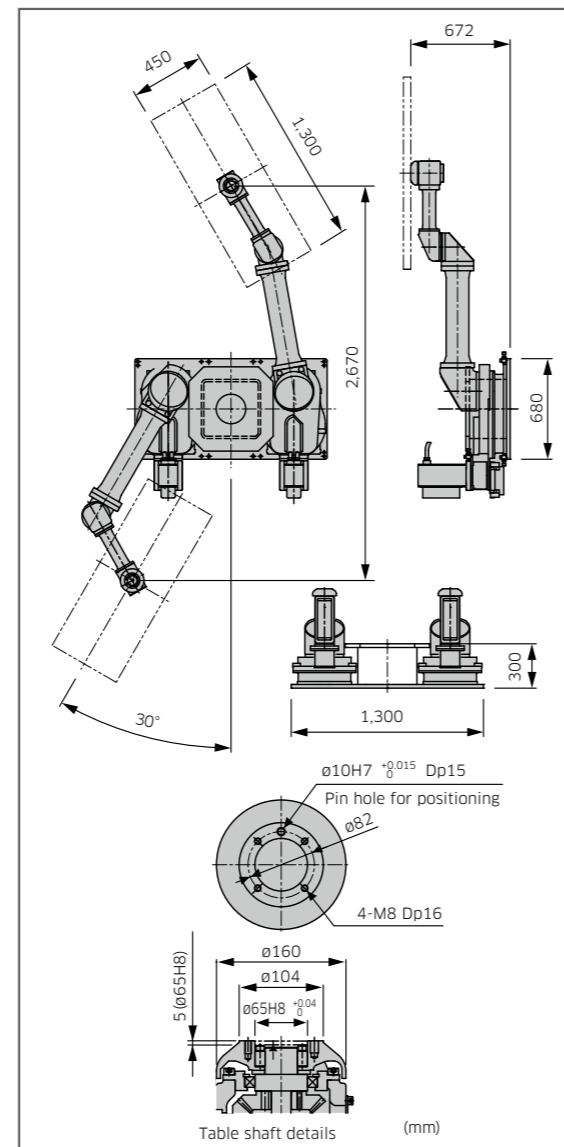
Because the arms are slim with no fixed rails, painting can be conducted above the water, reducing soiling of the booth. In addition, the airflow turbulence inside the paint booth can be minimized.

5. Short Construction Period

This device is delivered pre-assembled. So, it can be installed in as little as one day and you can start production immediately.



External View and Dimensions



Specifications

		Standard
Table load		30 kg x 2 Table
No. of control axes		Robot 6+Servo wing 2
Control method		Servo control
Teaching playback method		PTP teaching + CP control
Position detection method		Absolute encoder
Arm	Stroke (mm)	2,670
	Indexing time (sec)	3.2
Table	Operation angle	Infinite revolution
	Indexing angle (°)	90-deg and arbitrary angle
	Indexing time (sec)	1.2/90°
	Uninterrupted rotary speed (rpm)	Max. 90
	Rotary direction	Normal/reverse rotation
Intermediate stop function	The intermediate stop function and multiple coating control function are available.	
Explosion protection	Air pressurized explosion protection and intrinsically safe. Explosion-proof composite type (Expib II BT4 / Exib II BT4)	
Mass (kg)	970	
Color	Munsell 10GY9/1 equivalent	

Note: The arm index time indicates the time of arm movement from the intermediate stop position to the painting position.
The arm index time varies depending on the intermediate stop position.

Medium sized work-piece painting cell

Servo Spinner

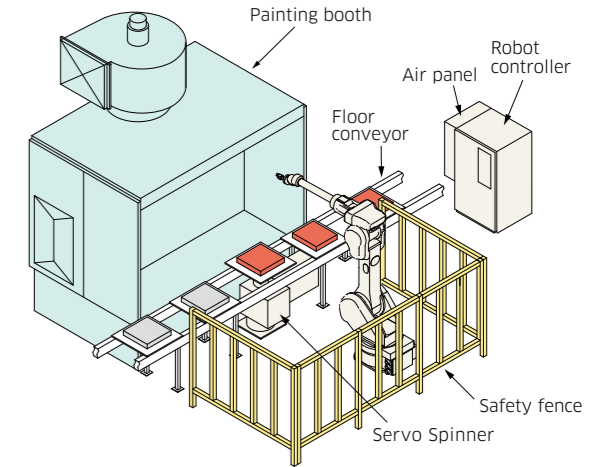
A new dimension in "line coating"

1. Flexible component placement

Choose the optimum painting posture for the workpiece, and reduce contamination of the paint booth.

2. Uninterrupted painting

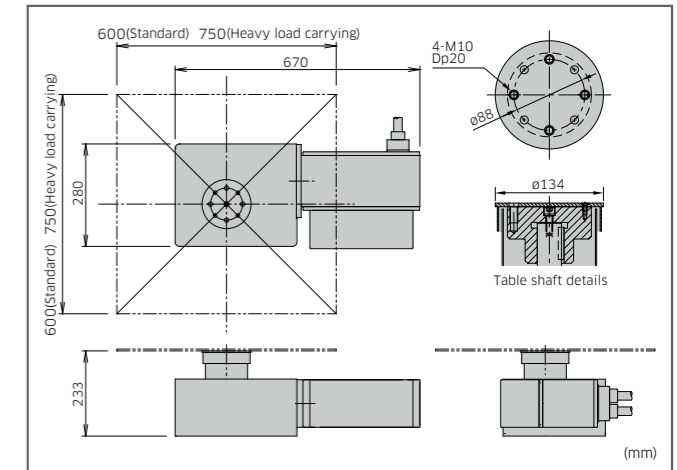
Painting can be performed with the table rotating, thus minimizing the robot's wait time.



Specifications

		Standard	Heavy load carrying
Table load (kg)		20	60
No. of control axes		Robot 6+Servo Spinner 1	
Control method		Servo control	
Teaching playback method		PTP teaching+CP control	
Position detection method		Absolute encoder	
Table	Operation angle	Infinite revolution	
	Indexing angle (°)	90-deg and arbitrary angle	
	Indexing time (sec)	0.8/90°	1.1/90°
	Uninterrupted rotary speed (rpm)	Max. 90	Max. 45
	Rotary direction	Normal/reverse rotation	
Explosion protection	Air pressurized explosion protection and intrinsically safe. Explosion-proof composite type (Expib II BT4 / Exib II BT4)		
Mass (kg)	60		
Color	Munsell 10GY9/1 equivalent		

External View and Dimensions



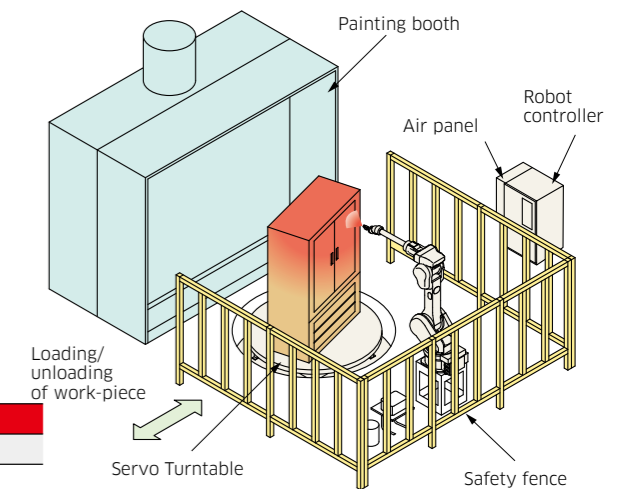
Large sized work-piece painting cell

Servo Turntable

Complete surface painting is possible with uninterrupted turntable rotation

1. The integrated control of the robot and table allows any painting position to be achieved according to the work shape.

2. The system can be applied to various types of painting such as synchronous control, arbitrary-angle indexing, paint spraying with continuous rotation of the table.



Specifications

		Standard	Heavy load carrying
Table load (kg)		Max. 500	Max. 1,000
No. of control axes		Robot 6+Servo Turntable 1	
Control method		Servo control	
Teaching playback method		PTP teaching+CP control	
Position detection method		Absolute encoder	
Table	Operation angle	Infinite revolution	
	Indexing angle (°)	90-deg and arbitrary angle	
	Indexing time (sec)	2.5/90°	5/90°
	Uninterrupted rotary speed (rpm)	Max. 10	Max. 5
	Rotary direction	Normal/reverse rotation	
Explosion protection	Air pressurized explosion protection and intrinsically safe. Explosion-proof composite type (Expib II BT4 / Exib II BT4)		
Mass (kg)	180 (without table jig)		
Table diameter (mm)	up to ø2,000		
Color	Munsell 10GY9/1 equivalent		
Foot switch function (Option)	Uninterrupted normal rotation, rotation stop	Uninterrupted rotation, 45-deg., 90-deg., 180-deg., indexing (changeable indexing angle), rotation stop	

External View and Dimensions

